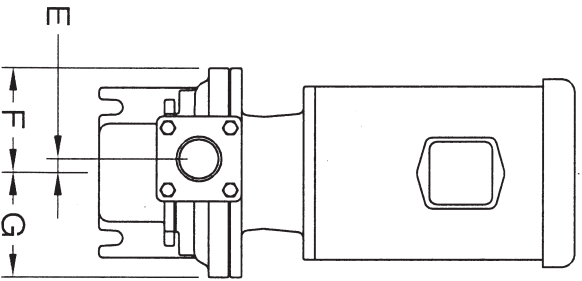
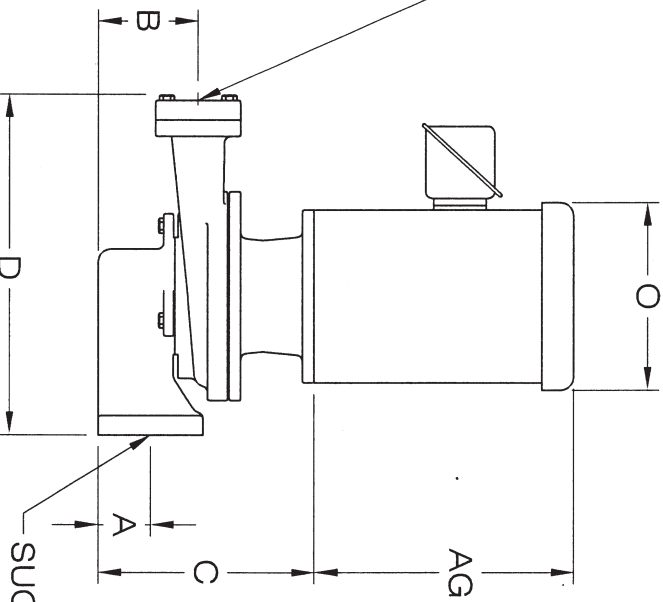
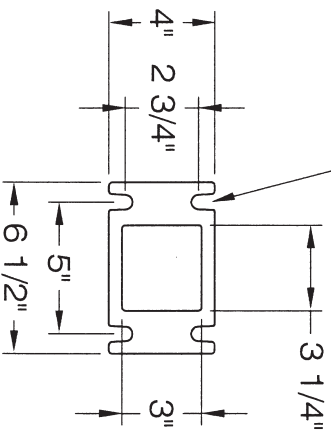


DISCHARGE  
(SEE CAPACITY CHART)



MOUNTING HOLES  
(4) 1/2" BOLTS



SUCTION

APPROXIMATE MOTOR DIMENSIONS

		3500 RPM									
MOTOR HP	1/3-1/2	3/4-1	1 1/2-2	3	5	7 1/2	10				
DIMENSION O	6 3/4"	6 3/4"	7"	7"	9 1/2"	9 1/2"	11"				
DIMENSION AG	9 1/2"	9 1/2"	10"	11"	12"	13"	15"				

DISCHARGE CAPACITY

G.P.M.	SIZE
0-15	3/4"
16-60	1 1/2"
61-113	2"
114-150	2 1/2"
151-250	3"
251-400	4"

PUMP MDL.	56J PUMP MTR	56J PUMP MTR
A	117	121
B	3 13/16"	3 13/16"
C	6 15/16"	7 3/8"
D	12 7/8"	12 7/8"
E	9/16"	9/16"
F	4"	4 7/8"
G	4"	4 7/8"

**SHIPCO**  
PUMPS

MANUFACTURED BY

SHIPPENSBURG PUMP COMPANY INC.

P.O. Box 279 Shippensburg, Pa. 17257  
PHONE 717 532-7321 / FAX 717 532-7704

WWW.SHIPCO.PUMPS.COM

SHIPCO® IS A REGISTERED TRADEMARK OF SHIPPENSBURG PUMP CO., INC.

**Model P**  
Vertical Flange Mounted

DRAWN BY: J.B. DATE: 3/04 REVISION: 3

DIMENSION PRINT

40043

Section P Page 0500