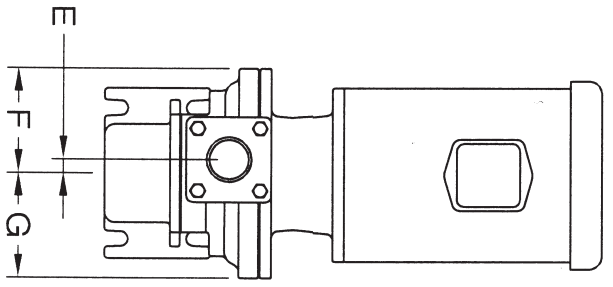
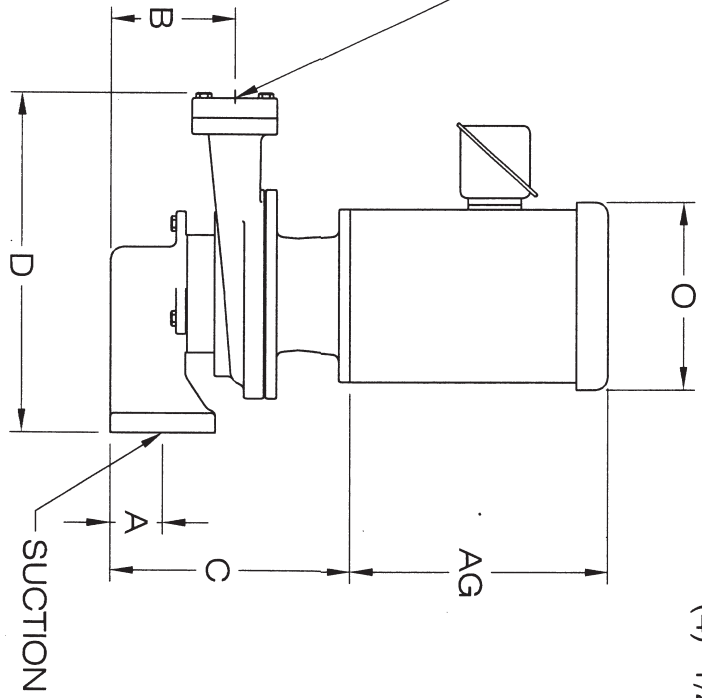
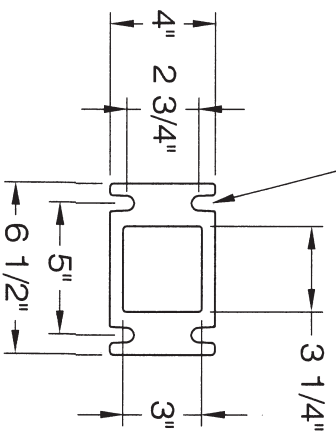


DISCHARGE
(SEE CAPACITY CHART)



MOUNTING HOLES
(4) 1/2" BOLTS



APPROXIMATE MOTOR DIMENSIONS
3500 RPM

MOTOR HP	1/3-1/2	3/4-1	1 1/2-2	3	5	7 1/2	10
DIMENSION O	6 3/4"	6 3/4"	7"	7"	9 1/2"	9 1/2"	11"
DIMENSION AG	9 1/2"	9 1/2"	10"	11"	12"	13"	15"

DISCHARGE CAPACITY	G.P.M.	SIZE
0-15	3/4"	
16-60	1 1/2"	
61-113	2"	
114-150	2 1/2"	
151-250	3"	
251-400	4"	

PUMP MDL.	JM MTR	JM MTR
A	2"	2"
B	4 11/16"	4 11/16"
C	9 1/8"	9 1/2"
D	12 7/8"	12 7/8"
E	9/16"	9/16"
F	4"	4 7/8"
G	4"	4 7/8"



MANUFACTURED BY
SHIPPENSBURG PUMP COMPANY INC.
P.O. Box 279 Shippensburg, Pa. 17257
PHONE 717 532-7321 / FAX 717 532-7704
WWW.SHIPCO PUMPS.COM
SHIPCO® IS A REGISTERED TRADEMARK OF SHIPPENSBURG PUMP CO., INC.

Model P
Vertical Flange Mounted

DRAWN BY	DATE	REVISION
J.B.	3/04	.3
DIMENSION PRINT		
40044		
Section P Page 0600		