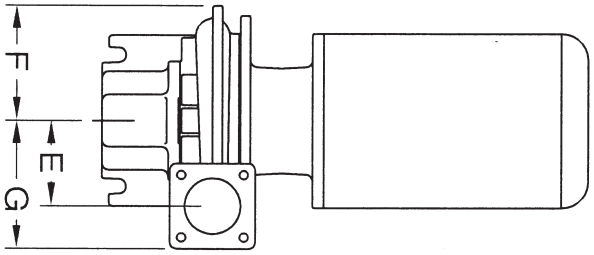
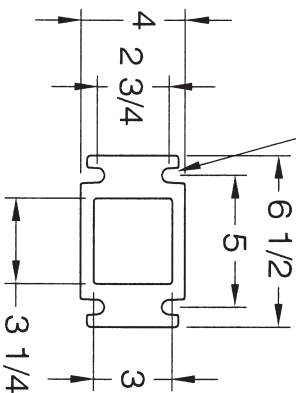
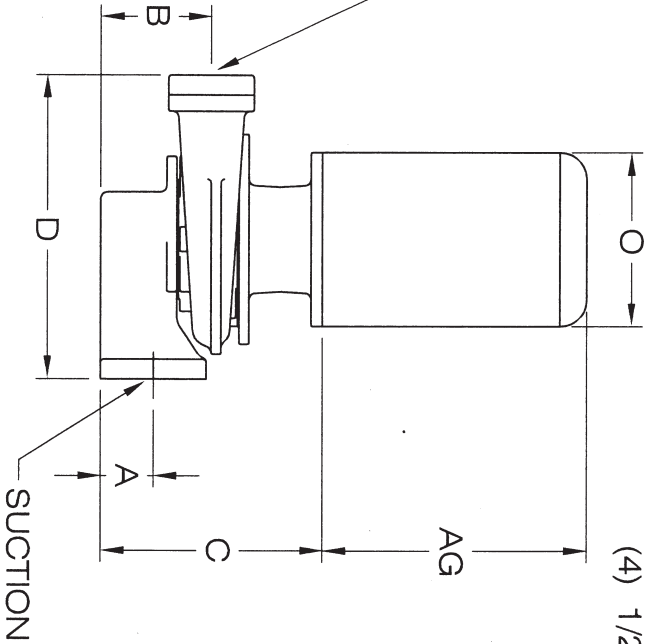


DISCHARGE
(SEE CAPACITY CHART)



MOUNTING HOLES
(4) 1/2" BOLTS



APPROXIMATE MOTOR DIMENSIONS					
3500 RPM					
MOTOR HP	1/3-1/2	3/4-1	1 1/2-2	3	5
DIMENSION O	6 3/4"	6 3/4"	7"	7"	9 1/2"
DIMENSION AG	9 1/2"	9 1/2"	10"	11"	12"

DISCHARGE CAPACITY G.P.M.	SIZE
0-15	3/4"
16-60	1 1/2"
61-113	2"
114-150	2 1/2"
151-250	3"
251-400	4"

PUMP MDL.	56J PUMP MTR	JM MTR
A	2"	2"
B	4 1/8"	5"
C	6 15/16"	8 1/4"
D	11 9/16"	11 9/16"
E	3 1/4"	3 1/4"
F	4"	4 1/8"
G	4 7/8"	4 7/8"

SHIPCO®
PUMPS

MANUFACTURED BY
SHIPPENSBURG PUMP COMPANY INC.
P.O. Box 279 Shippensburg, Pa. 17257
PHONE 717 532-7321 / FAX 717 532-7704
WWW.SHIPCO.PUMPS.COM
SHIPCO® IS A REGISTERED TRADEMARK OF SHIPPENSBURG PUMP CO., INC.

Model P
Vertical Flange Mounted

DRAWN BY	DATE	REVISION
J.B.	3/04	.4
DIMENSION PRINT		
Section P Page 0800		