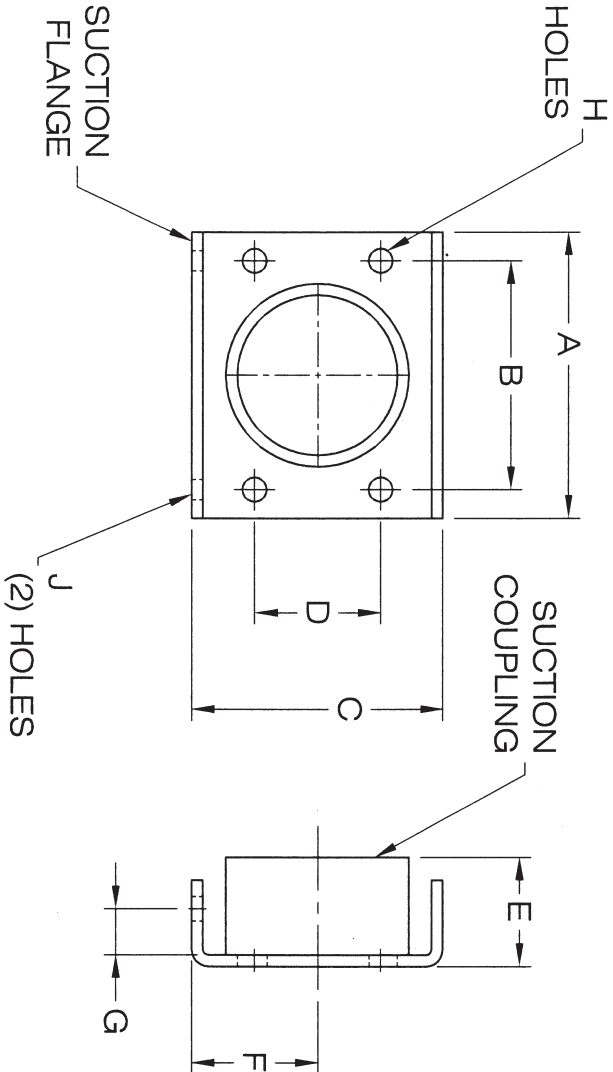


SUCTION HOUSING SUPPORT USED
TO SUPPORT FRONT OF SUCTION
HOUSING & ANCHOR TO FLOOR



SUCTION SIZE	DIMENSIONS										MAX. FLOW RATE (GPM)		PART NO.
	A	B	C	D	E	F	G	H	J	"D" PUMP	"P" PUMP	ADAPTOR FLANGE PART NO.	
2"	6 1/4"	5"	5"	2 3/4"	1 1/4"	2 1/2"	1"	17/32"	7/16"	52	30	FLG-PMP-S3333291	
2 1/2"	6 1/4"	5"	5"	2 3/4"	1 3/4"	2 1/2"	1"	17/32"	7/16"	75	43	FLG-PMP-S3333292	
3"	6 1/4"	5"	5 1/2"	2 3/4"	1 13/16"	2 3/4"	1"	17/32"	7/16"	114	66	FLG-PMP-S3333293	
4"	7 1/2"	6 1/2"	6 3/4"	4"	2 5/16"	3 1/2"	2"	1/2-13 UNC	5/8"	200	116	FLG-PMP-S3333328	

SHIPCO®
PUMPS

MANUFACTURED BY

SHIPPENSBURG PUMP COMPANY INC.
P.O. Box 279 Shippenburg, Pa. 17257
PHONE 717 532-7321 / FAX 717 532-7704
WWW.SHIPCO-PUMPS.COM

SHIPCO® IS A REGISTERED TRADEMARK OF SHIPPENSBURG PUMP CO., INC.

Suction Adapter
Threaded Suction Adapter Flange with Foot

DRAWN BY	DATE	REVISION
S.A.D.	3/04	.1

40163

Section P Page 0400