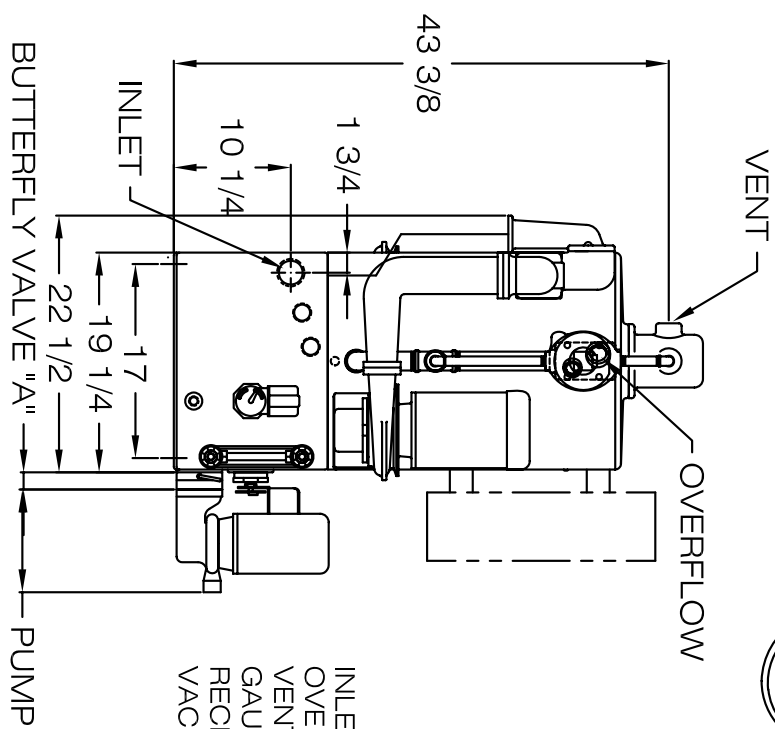
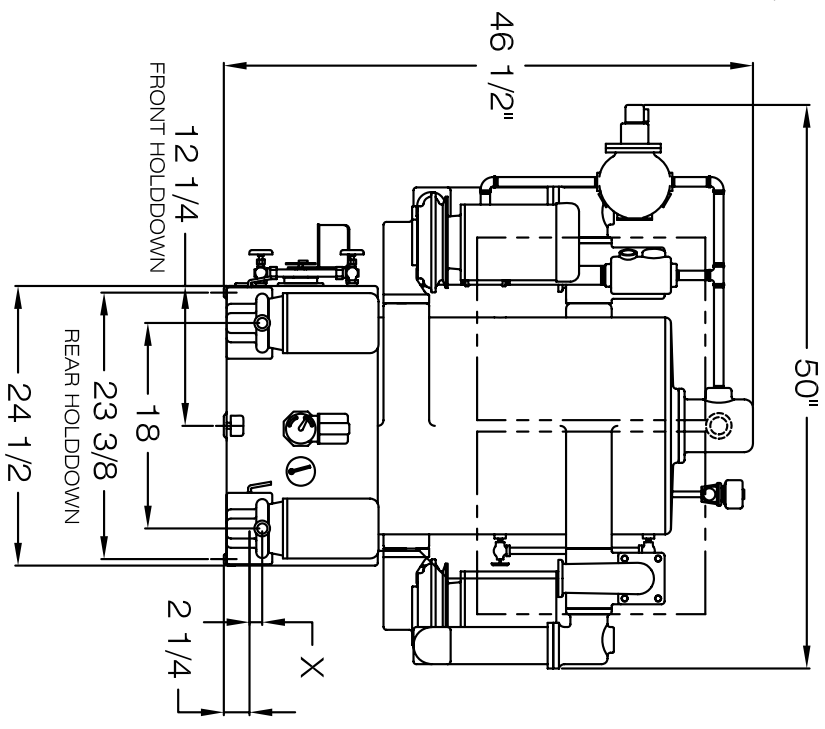


BUTTERFLY VALVE	
SIZE	DIM. "A"
3	1 1/2"
4	2"



INLET - 2" N.P.T.
 OVERFLOW - 1 1/4" N.P.T.
 VENT - 2" N.P.T.
 GAUGE GLASS FITTINGS - 8" APART
 RECEIVER DRAIN - 1/2" N.P.T.
 VACUUM DRAIN - 1/2" N.P.T.

RECOMMENDED DISCHARGE NOZZLE SIZE CAPACITY CHART	
0-15	3/4"
16-60	1" OR 1 1/2"
61-113	2"
114-150	2 1/2"
151-250	3"
251-400	4"



ALL DIMENSIONS ARE APPROXIMATE



MANUFACTURED BY
SHIPCO PUMPS
 SHIPPENSBURG PUMP COMPANY INC.
 P.O. Box 279 Shippensburg, Pa. 17257
 PHONE 717 532-7321 / FAX 717 532-7704
 WWW.SHIPCO PUMPS.COM
 SHIPCO® IS A REGISTERED TRADEMARK OF SHIPPENSBURG PUMP CO., INC.

"X" DIMENSION					
PUMP MODELS					
110	106	113, 116 & 127	117 & 121	114 & 129	114 & 129
1 1/8	1 11/32	2 3/16	1 13/16	2 1/2	3 9/16
				UNDER 130 GPM	130 GPM & OVER
				131	131

Type BVC and Type BYMC
 Vacuum Receiver; up to 18 CFM
 With 25 Gallon Condensate
 Boiler Feed Receiver

DRAWN BY	DATE	REVISION
M. REED	7/09	.2
DIMENSION PRINT		
40168		
Section BYMC Page 0400		