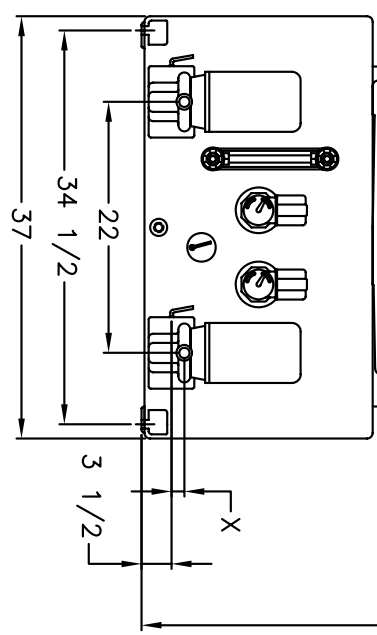
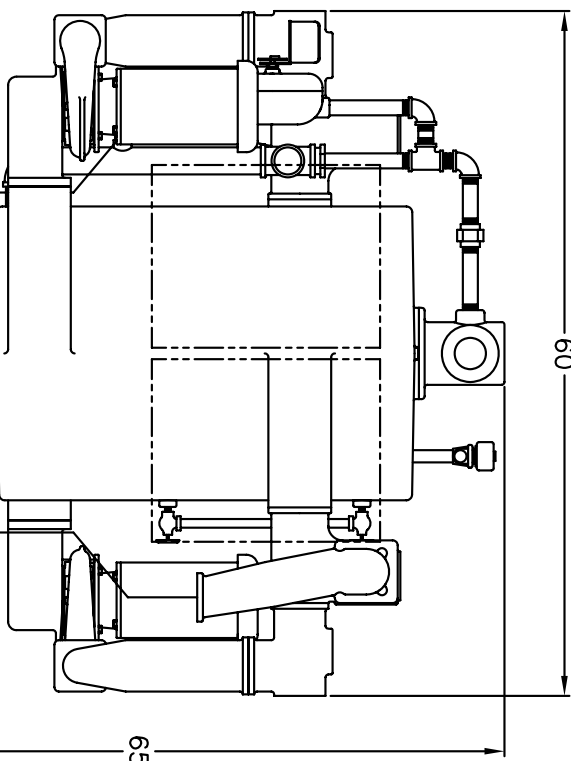


BUTTERFLY VALVE	
SIZE	DIM. "A"
3	1 1/2"
4	2"

RECOMMENDED DISCHARGE NOZZLE SIZE CAPACITY CHART	
0-15	3/4"
16-60	1" OR 1 1/2"
61-113	2"
114-150	2 1/2"
151-250	3"
251-400	4"

INLET - 4" N.P.T.  
 OVERFLOW - 2" N.P.T.  
 VENT - 3" N.P.T.  
 GAUGE GLASS FITTINGS - 10" APART  
 RECEIVER DRAIN - 1/2" N.P.T.  
 VACUUM DRAIN - 3/4" N.P.T.



**SHIPCO®**  
**SHIPPERS PUMPS**

MANUFACTURED BY

SHIPPENSBURG PUMP COMPANY INC.  
 P.O. Box 279 Shippensburg, Pa. 17257  
 PHONE 717 532-7321 / FAX 717 532-7704  
 WWW.SHIPPERSPUMPS.COM

SHIPCO® IS A REGISTERED TRADEMARK OF SHIPPENSBURG PUMP CO., INC.

"X" DIMENSION

PUMP MODELS					
110	106	113, 116 & 127	117 & 121	114 & 129	114 & 129
118	131	2 3/16	1 13/16	2 1/2	3 9/16
114	129	130 GPM	130 GPM & OVER	131	131
117	121	117 & 121	117 & 121	117 & 121	117 & 121

**Type BVC and Type BYMC**  
 Vacuum Receiver; 19 to 52 CFM  
 With 80 Gallon Condensate  
 or Boiler Feed Receiver

DRAWN BY M. REED DATE 7/09 REVISION .1

40175

Section BYMC Page 1200