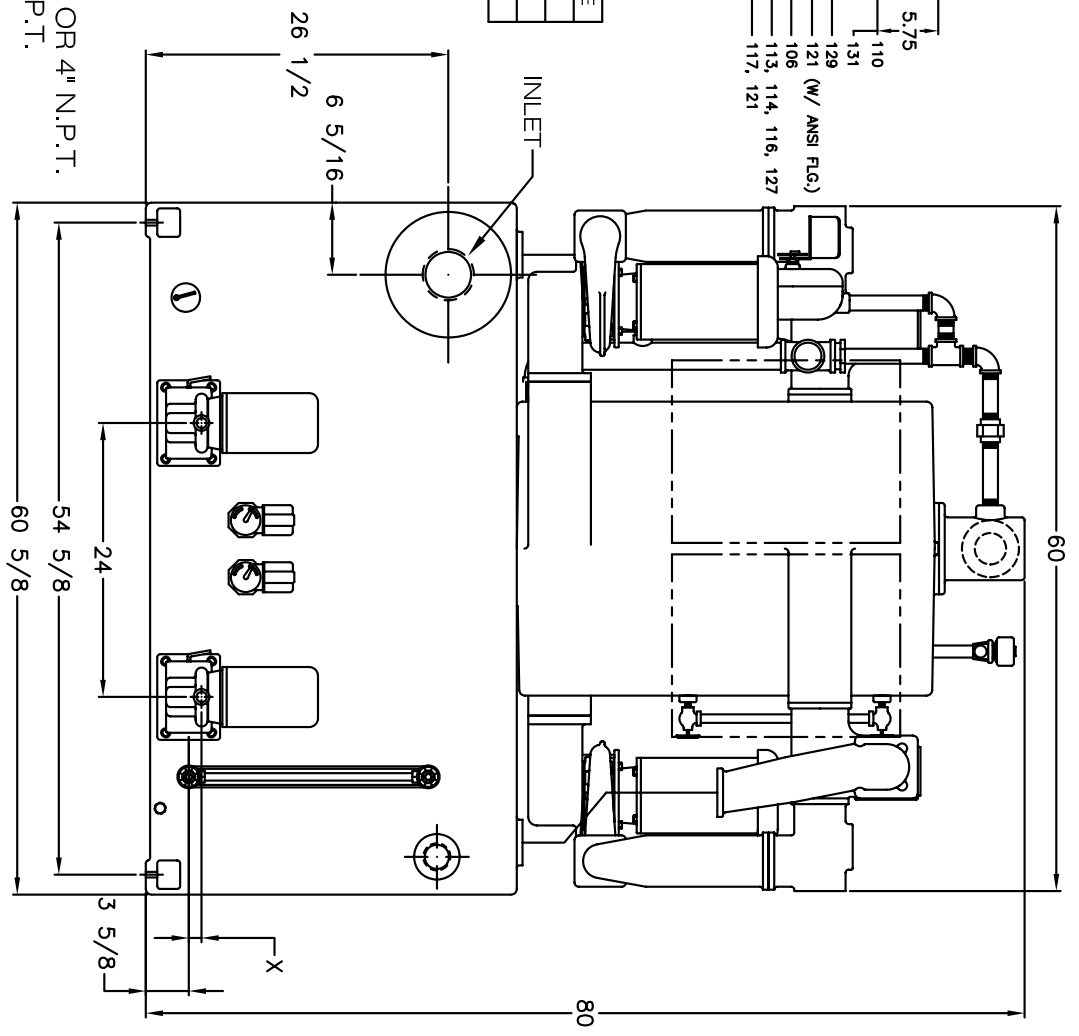


BUTTERFLY VALVE	
SIZE	DIM. "A"
3	1 1/2"
4	2"

RECOMMENDED DISCHARGE NOZZLE SIZE CAPACITY CHART	
0-15	3/4"
16-60	1" OR 1 1/2"
61-113	2"
114-150	2 1/2"
151-250	3"
251-400	4"

INLET - 6" FLANGE OR 4" N.P.T.
 OVERFLOW - 2" N.P.T.
 VENT - 3" N.P.T.
 GAUGE GLASS FITTINGS - 21" APART
 RECEIVER DRAIN - 3/4" N.P.T.
 VACUUM DRAIN - 3/4" N.P.T.



"X" DIMENSION

PUMP MODELS				
110	106	113, 116 & 127	117 & 121	114 & 129
11/8	11/32	2 3/16	1 13/16	2 1/2
				114 & 129
				130 GPM & OVER
				131
				4 1/4

Type BVC and Type BVMC
 Vacuum Receiver; 19 to 52 CFM
 With 260 Gallon Condensate
 or Boiler Feed Receiver

DRAWN BY	DATE	REVISION
M. REED	7/09	.1

Section BVMC Page 1500

SHIPCO®
 MANUFACTURED BY
SHIPCO PUMPS
 SHIPPENSBURG PUMP COMPANY INC.
 P.O. Box 279 Shippensburg, Pa. 17257
 PHONE 717 532-7321 / FAX 717 532-7704
 WWW.SHIPCO PUMPS.COM
 SHIPCO® IS A REGISTERED TRADEMARK OF SHIPPENSBURG PUMP CO., INC.