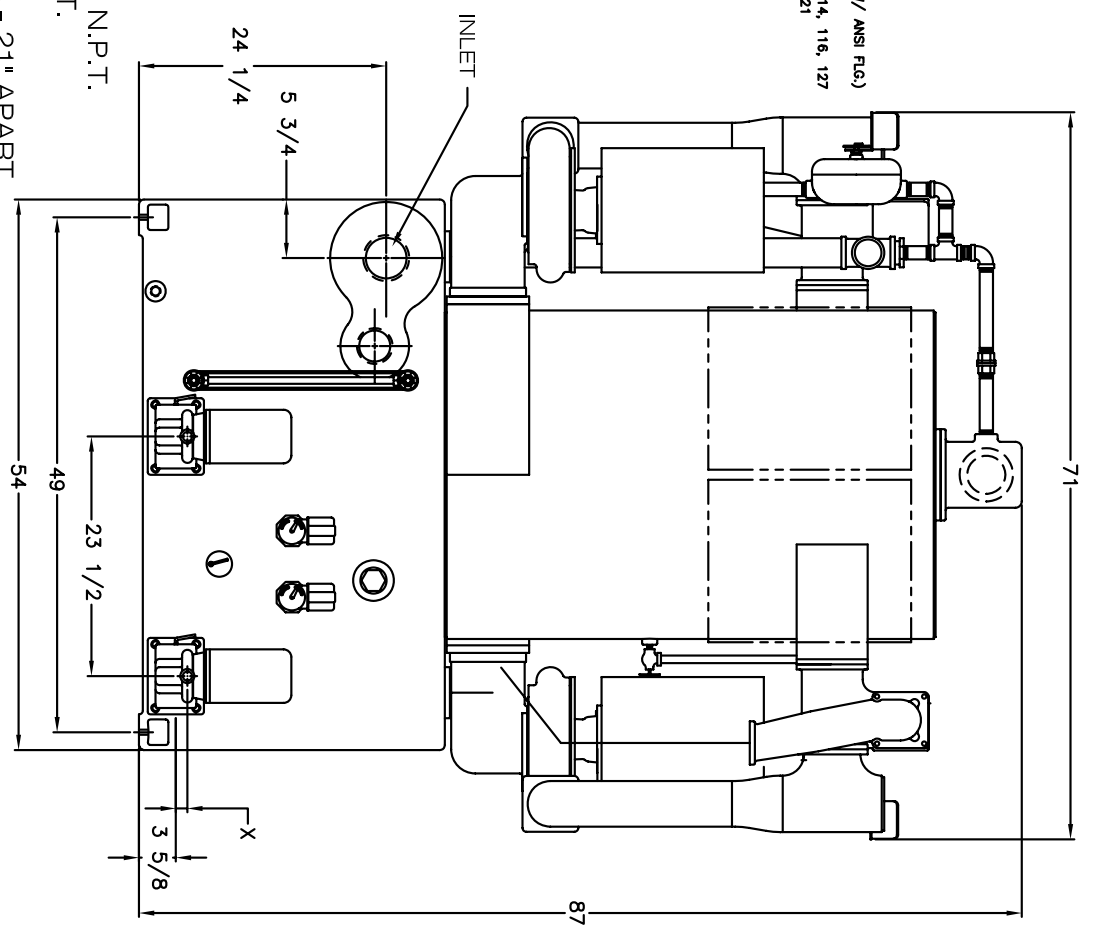


BUTTERFLY VALVE	
SIZE	DIM. "A"
3	1 1/2"
4	2"

RECOMMENDED DISCHARGE NOZZLE SIZE CAPACITY CHART		
0-1.5	3/4"	
1.6-6.0	1" OR 1 1/2"	
6.1-11.3	2"	
11.4-1.50	2 1/2"	
1.51-2.50	3"	
2.51-4.00	4"	

INLET - 6" FLANGE OR 4" N.P.T.  
 OVERFLOW - 2 1/2" N.P.T.  
 VENT - 4" N.P.T.  
 GAUGE GLASS FITTINGS - 21" APART  
 RECEIVER DRAIN - 3/4" N.P.T.  
 VACUUM DRAIN - 1" N.P.T.



**SHIPCO®**  
**SPUMPS**

MANUFACTURED BY  
 SHIPPENSBURG PUMP COMPANY INC.  
 P.O. Box 279 Shippenburg, Pa. 17257  
 PHONE 717 532-7321 / FAX 717 532-7704  
 WWW.SHIPCO.PUMPS.COM

SHIPCO® IS A REGISTERED TRADEMARK OF SHIPPENSBURG PUMP CO., INC.

"X" DIMENSION

PUMP MODELS					
110	106	113, 116 & 127	117 & 121	114 & 129	114 & 129
1 1/8	1 11/32	2 3/16	1 13/16	2 1/2	3 9/16
				130 GPM & OVER	131
				130 GPM & OVER	4 1/4

**Type BVC and Type BYMC**  
 Vacuum Receiver; 53 to 100 CFM  
 With 160 Gallon Condensate  
 or Boiler Feed Receiver

DRAWN BY	DATE	REVISION
M. REED	7/09	.1