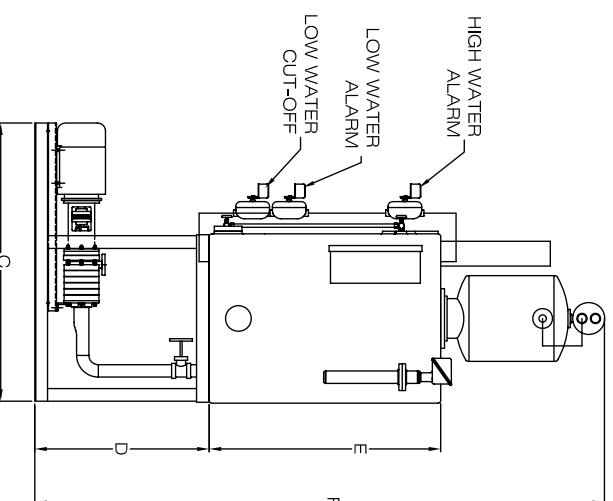
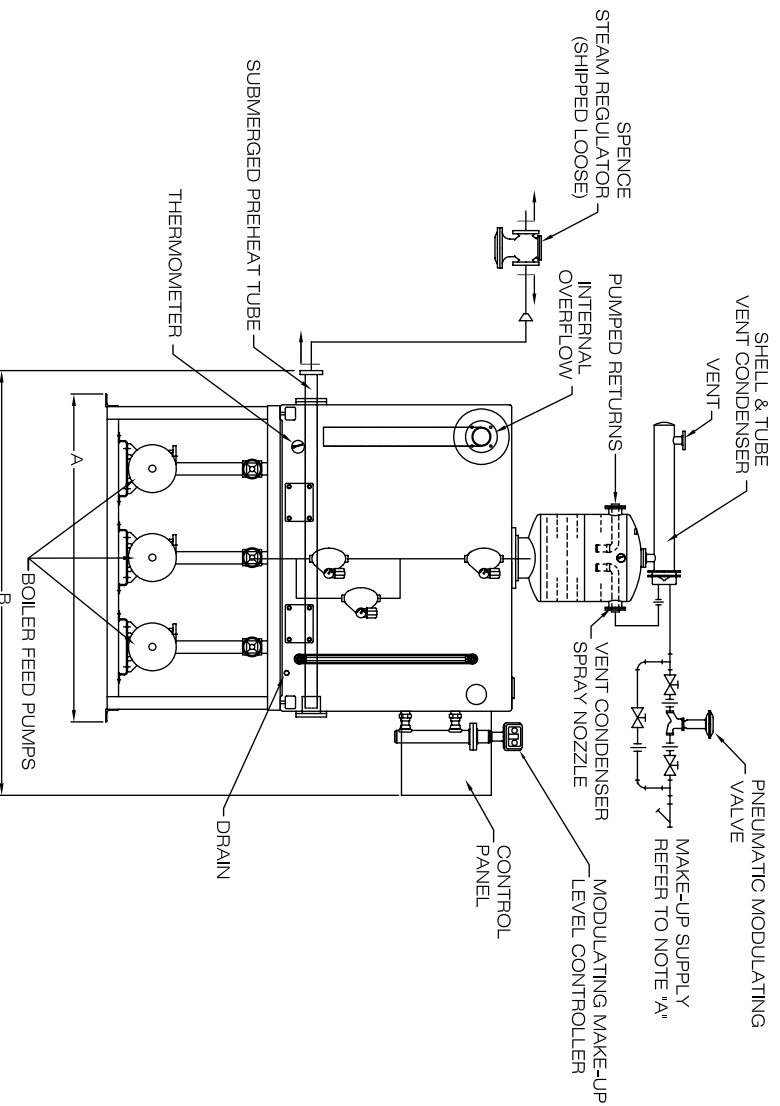


# 500 GALLON RECEIVER



DRAWING FOR REFERENCE USE ONLY

INDICATES WHERE SHIPCO PIPING ENDS

"ALL DIMENSIONS ARE APPROXIMATE"

NOTE "A"

MAKE-UP CONNECTION IF SINGLE TANK DESIGN  
TRANSFER CONNECTION IF TWO TANK DESIGN

150 TO 500 BOILER HORSEPOWER - 500 Gallon Cast Iron Receiver - 17,500 lbs./Hr. Steam\*

ALL DIMENSIONS APPROXIMATE

GALLONS	A	B	C	D	E	F	DRAIN	OVERFLOW	VENT
500	82"	110"	74"	48"	48"	168"	1" NPT.	3" FLG.	3" FLG.

Dimension "C" may vary based on pump model selection

**SHIPCO**<sup>®</sup>  
PUMPS

MANUFACTURED BY  
SHIPPENSBURG PUMP COMPANY INC.  
P.O. Box 279 Shippensburg, Pa. 17257  
PHONE 717 532-7321 / FAX 717 532-7704  
WWW.SHIPCO.PUMPS.COM

SHIPCO<sup>®</sup> IS A REGISTERED TRADEMARK OF SHIPPENSBURG PUMP CO., INC.  
005 DA-CI 500 GAL 150-250 BHP  
ATMOSPHERIC DESIGN  
HORIZONTAL PUMPS

DRAWN BY	DATE	REVISION
S.A.D.	6/09	.2

DIMENSION PRINT# 40293