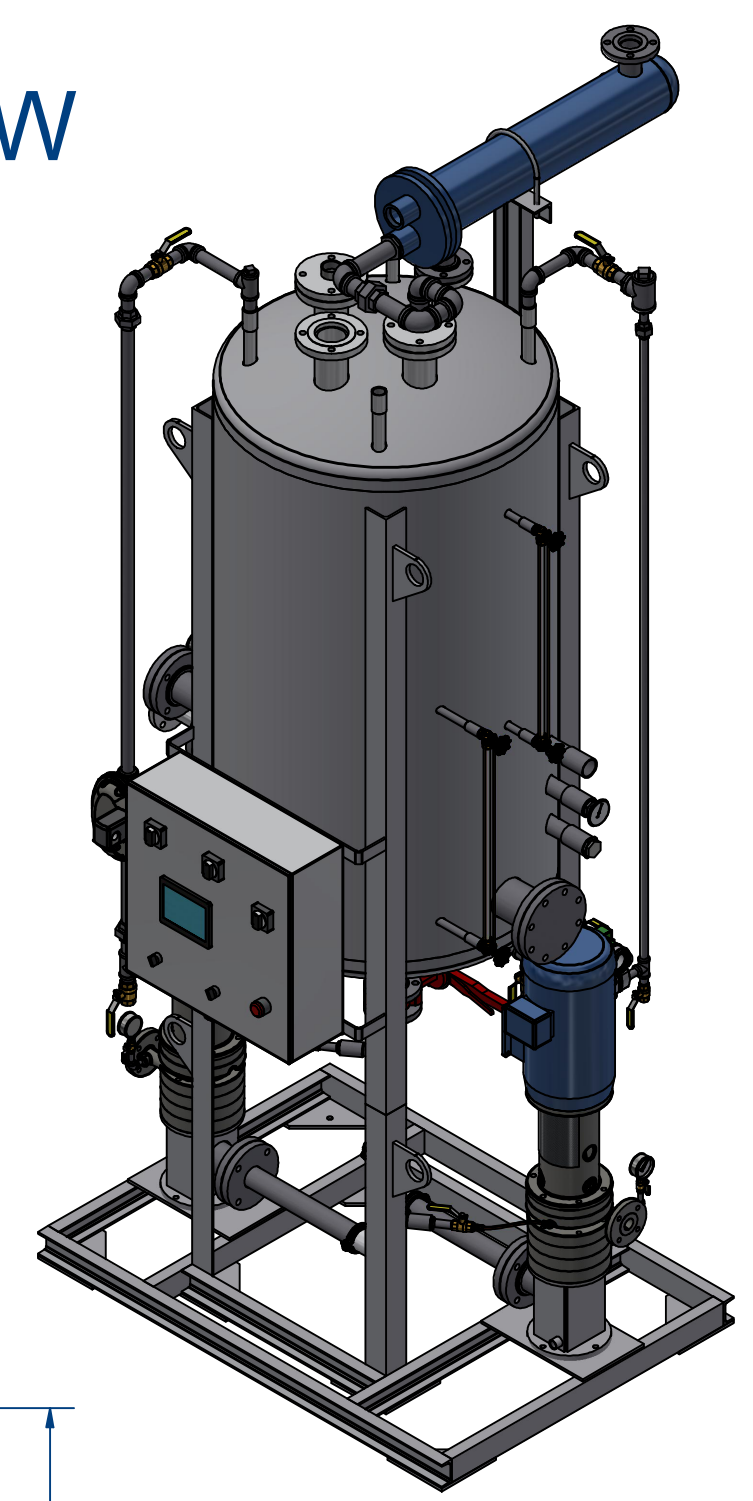
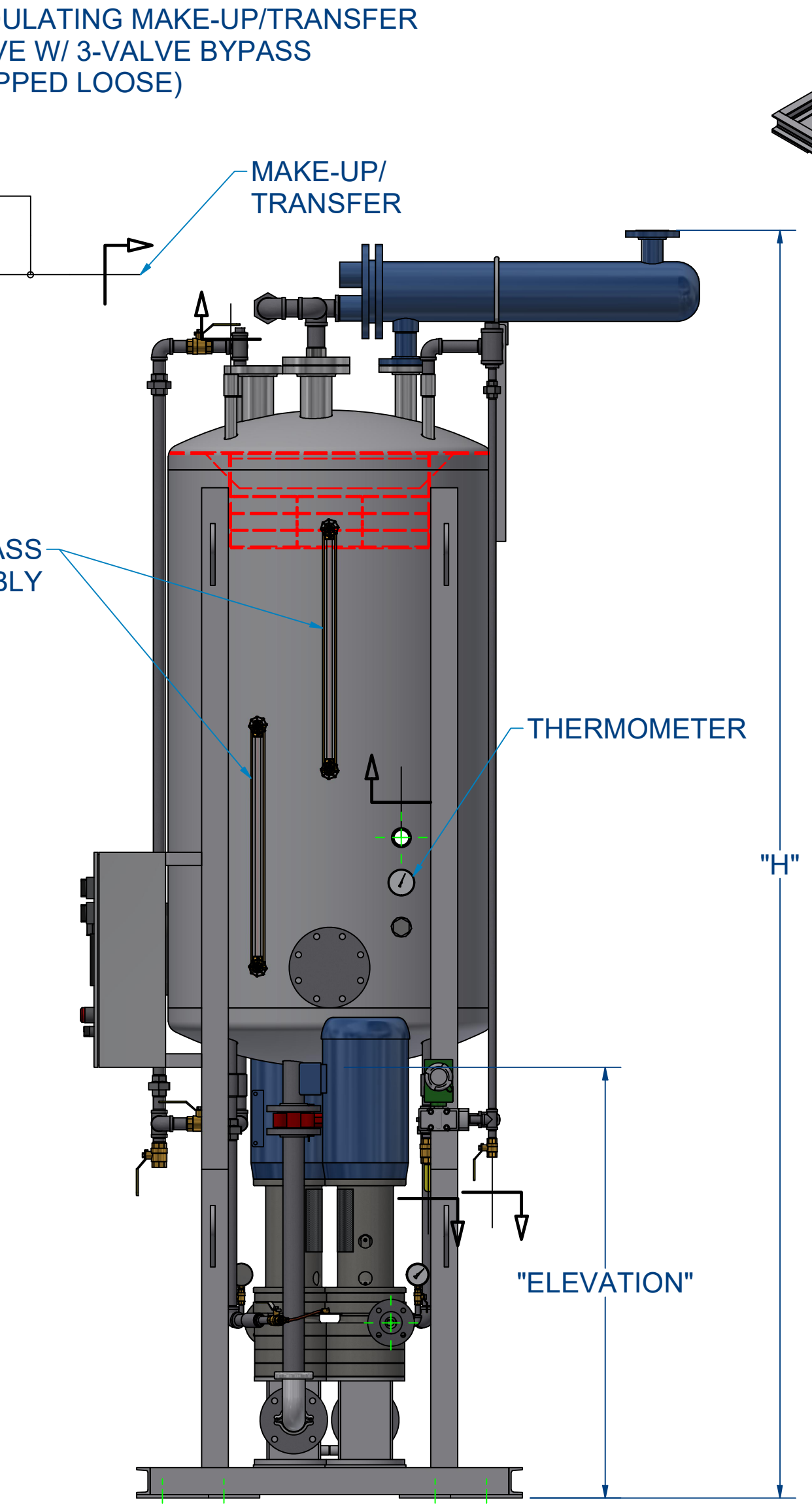
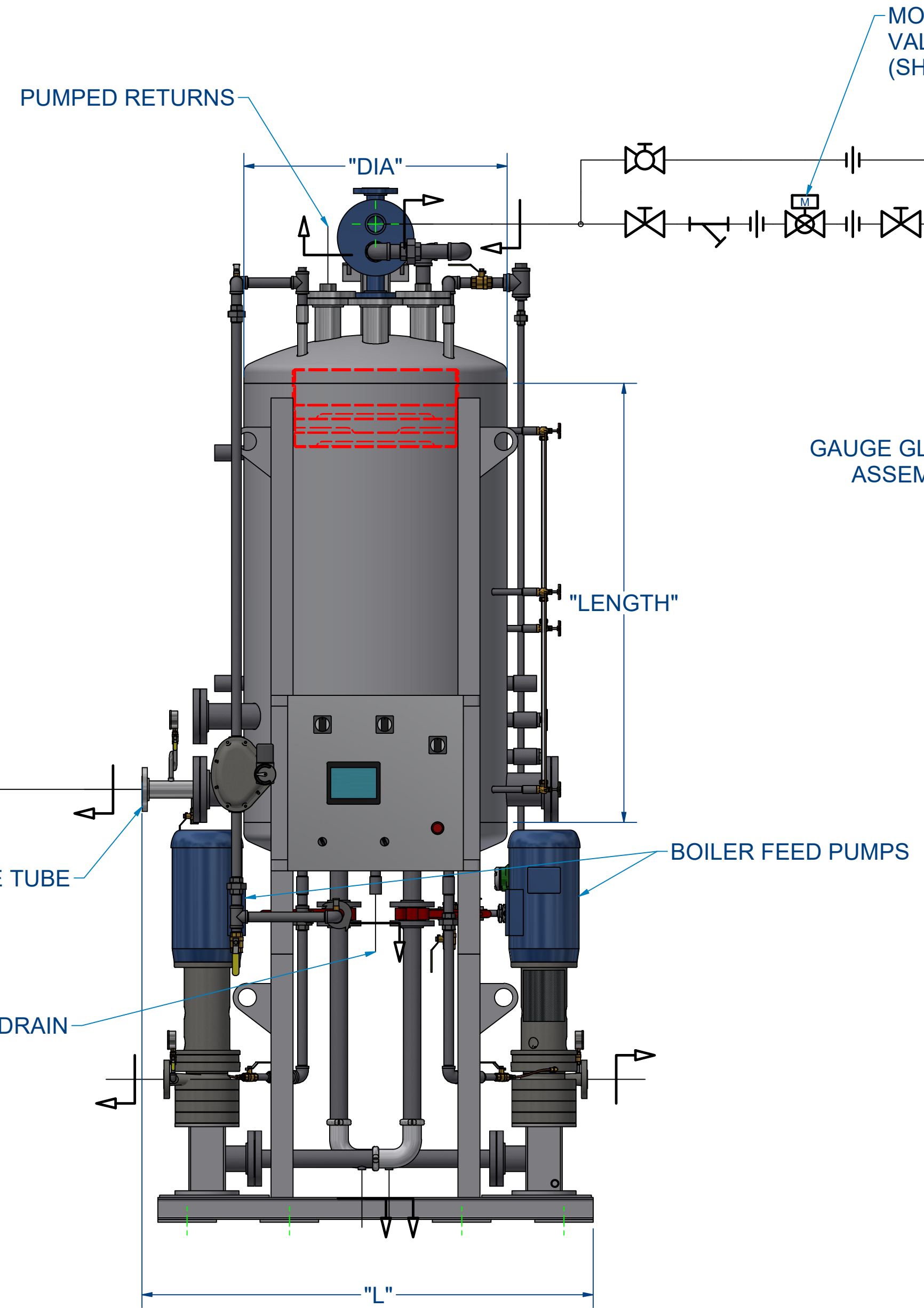
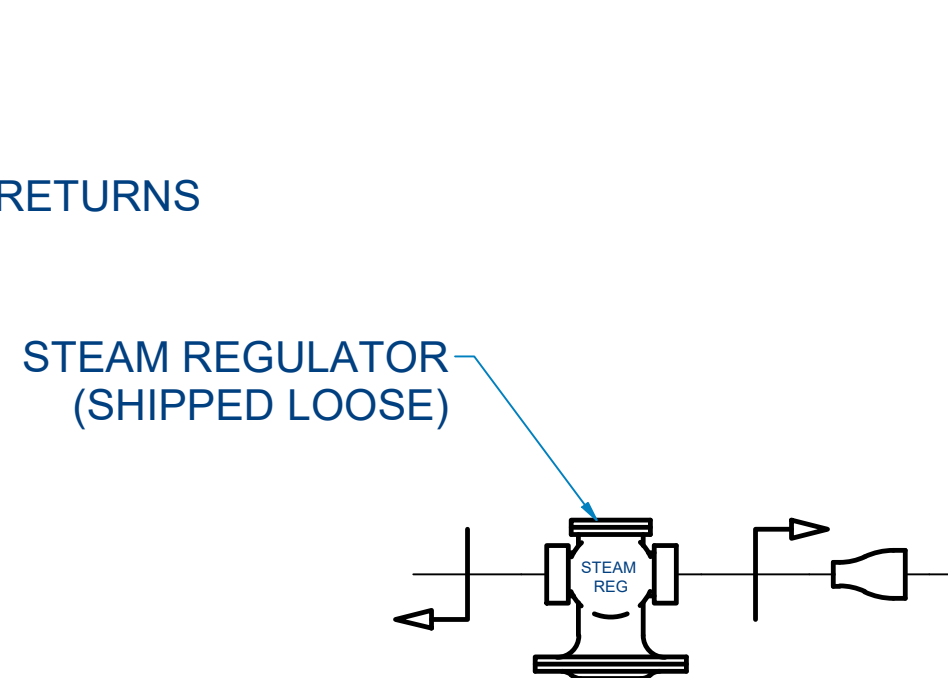
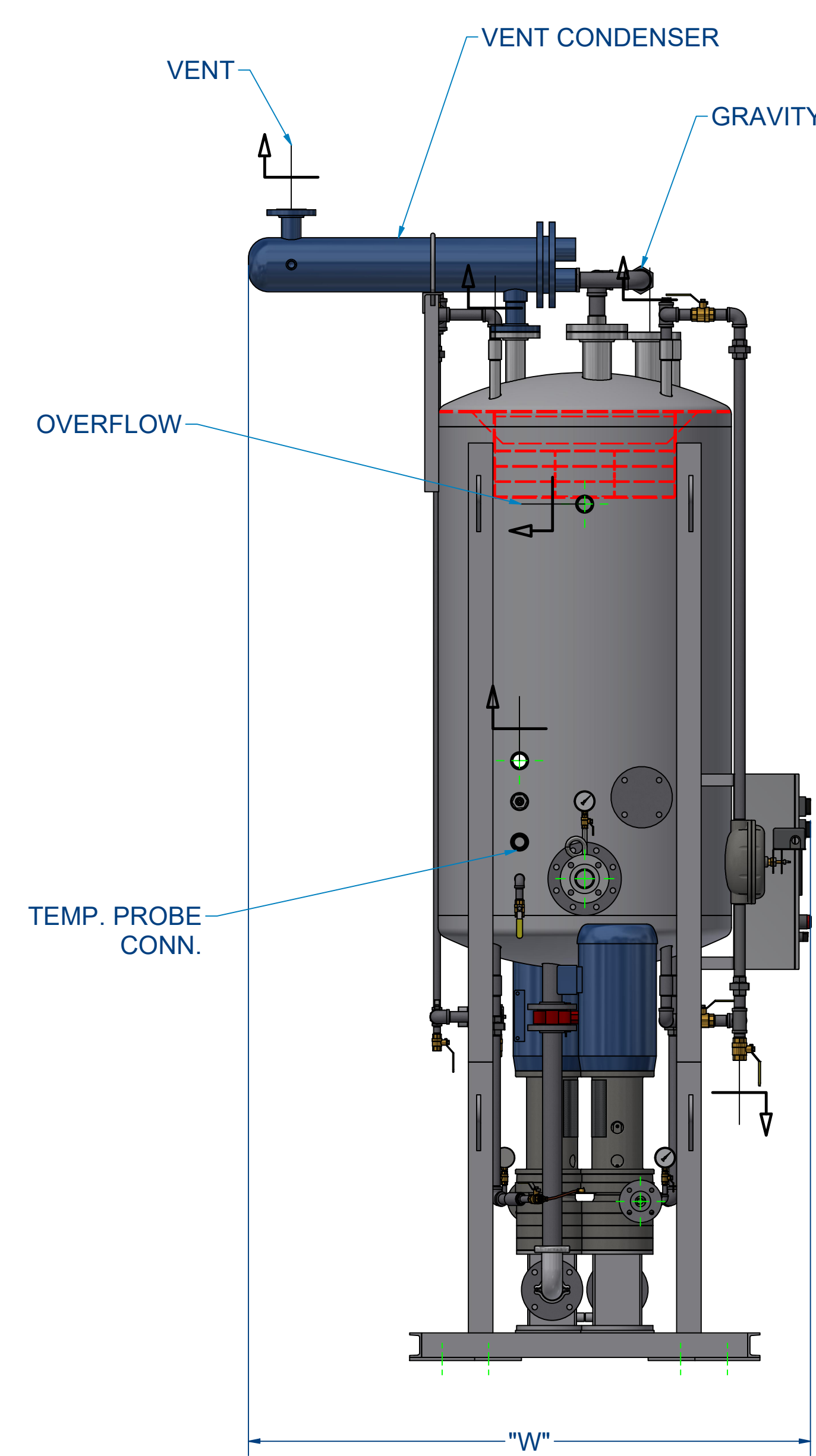


STANDARD RECEIVER SIZE	NET RECEIVER GALLONS	SYSTEM SIZE		APPROXIMATE * OVERALL DIMENSIONS		
		Based on 10 min. Storage Capacity		L	W	H
		BHP	Nominal lb/hr			
24" x 48"	80	115	4,000	62"	68"	128"
24" x 60"	98	145	5,000	62"	68"	140"
30" x 60"	155	230	8,000	64"	72"	142"
36" x 60"	230	335	11,500	64"	74"	144"
42" x 60"	324	480	16,500	68"	74"	148"

"H" DIMENSION BASED ON 48" ELEVATION  
 \*BASE FOOTPRINT IS APPROXIMATE AND VARIES DEPENDING ON PUMP SELECTION. CONSULT FACTORY FOR CUSTOMIZATION.

### FRONT ISO VIEW



**SHIPCO PUMPS**  
 SHIPPENSBURG PUMP CO., INC.  
 P.O. Box 279 Shippensburg, PA 17257  
 (717) 532-7321 • www.shipcopumps.com  
 SHIPCO® is a registered trademark of Shippensburg Pump Co., Inc.

ALL DIMENSIONS ARE APPROXIMATE  
 DENOTES WHERE MANUFACTURER PIPING ENDS  
 AND CONTRACTOR PIPING BEGINS

ALL CONNECTING PIPING TO UNIT MUST BE  
 SUPPORTED & ANCHORED. UNIT IS NOT  
 DESIGNED TO SUPPORT PIPING WEIGHT.

**.005 DA-STV / .005 DA-STV-2T  
 VERTICAL PUMPS**

SECTION	DRAWING NO.	REV.	DATE
5DA	TK-5DASTV-LIT	4	12/21/2023