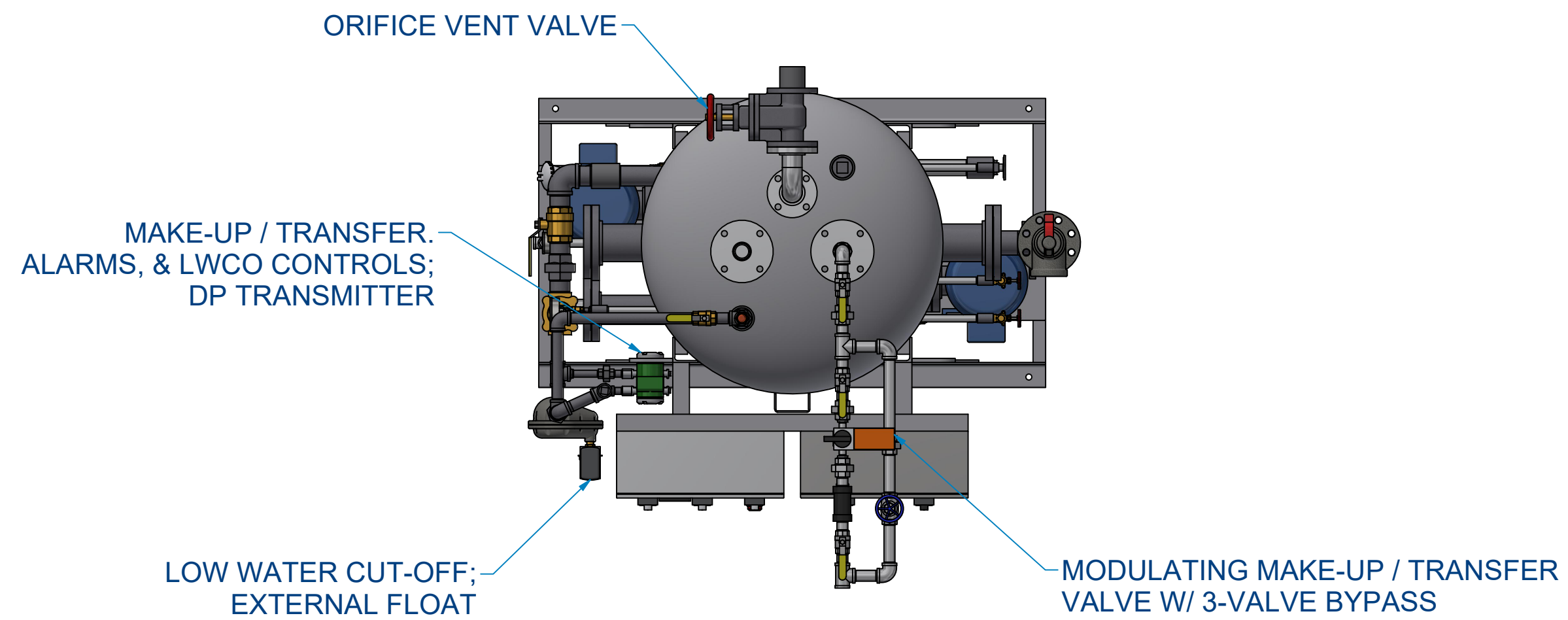
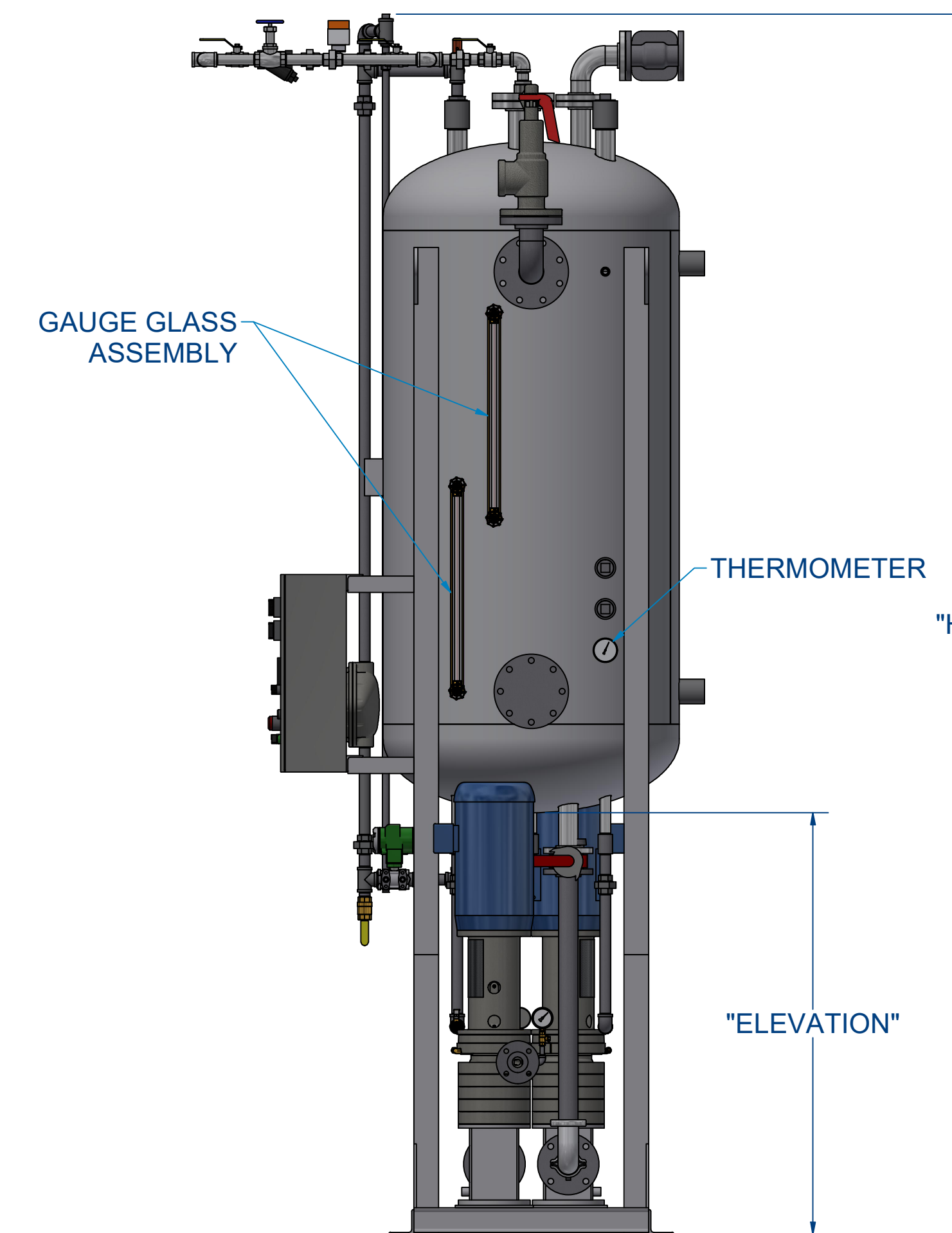
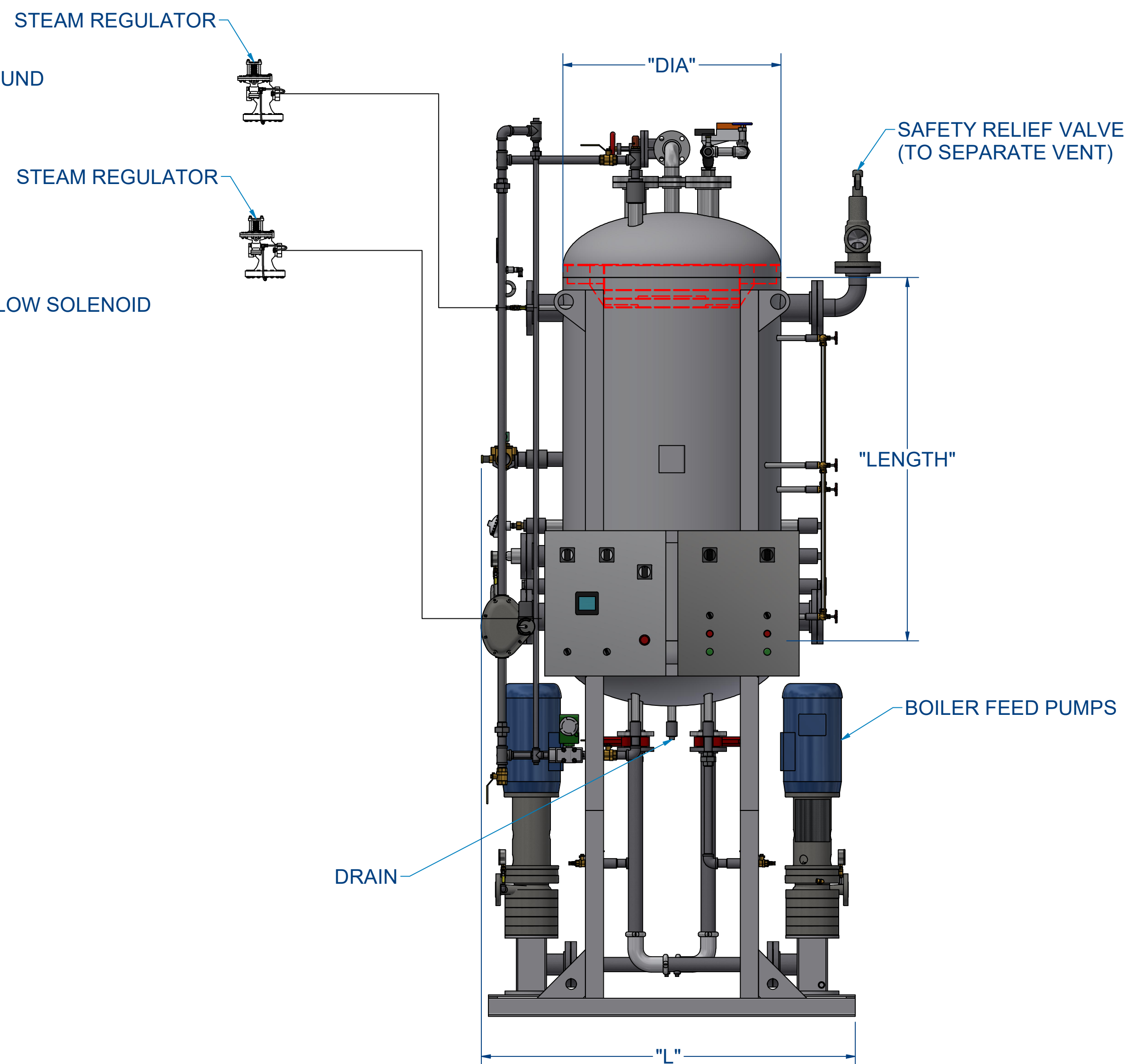
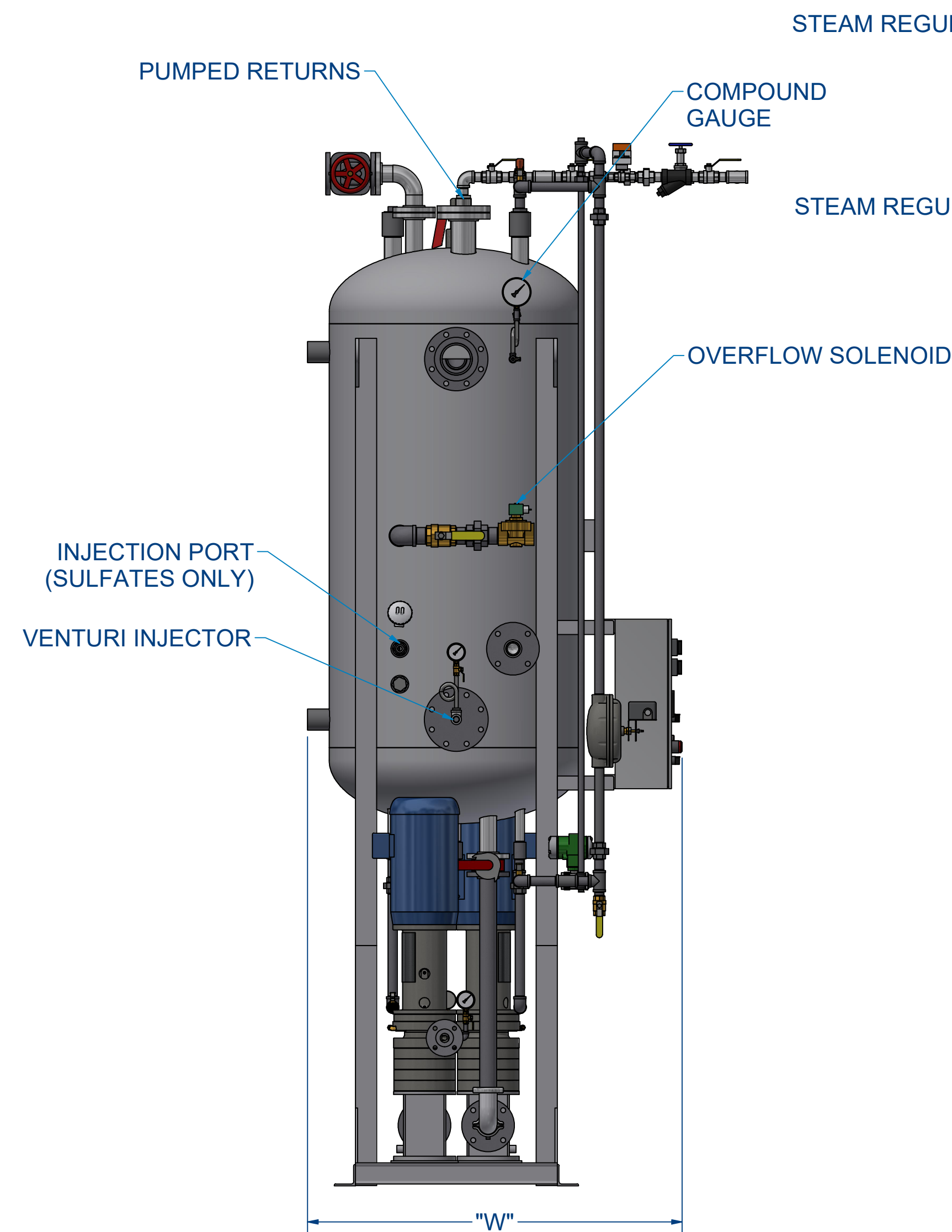
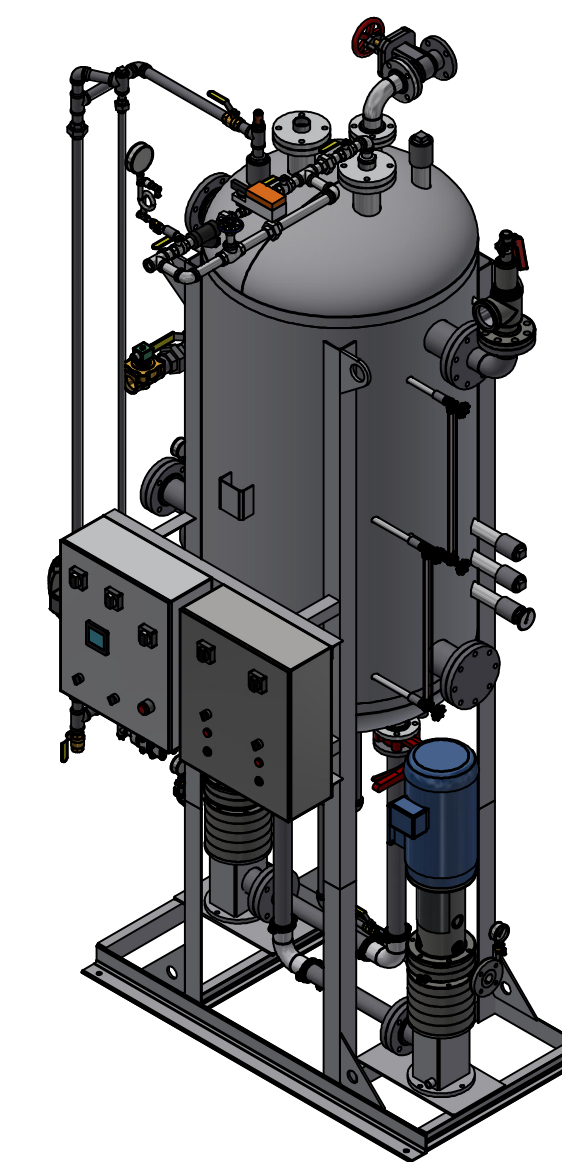


STANDARD RECEIVER SIZE	NET RECEIVER GALLONS	SYSTEM SIZE		APPROXIMATE * OVERALL DIMENSIONS		
		Based on 10 min. Storage Capacity		L	W	H
		BHP	Nominal lb/hr			
24" x 48"	80	115	4,000	60"	52"	132"
24" x 60"	98	145	5,000	60"	52"	144"
30" x 60"	155	230	8,000	65"	55"	146"
36" x 60"	230	335	11,500	65"	58"	150"
42" x 60"	324	480	16,500	70"	64"	154"
48" x 60"	435	640	22,000	72"	66"	156"
54" x 60"	565	825	28,500	75"	69"	159"

"H" DIMENSION BASED ON 48" ELEVATION
 *BASE FOOTPRINT IS APPROXIMATE AND VARIES DEPENDING ON PUMP SELECTION. CONSULT FACTORY FOR CUSTOMIZATION.



FRONT ISO VIEW



SHIPPENSBURG PUMP CO., INC.
 P.O. Box 279 Shippensburg, PA 17257
 (717) 532-7321 • www.shipcopumps.com
 SHIPCO® is a registered trademark of Shippensburg Pump Co., Inc.

ALL CONNECTING PIPING TO UNIT MUST BE SUPPORTED & ANCHORED. UNIT IS NOT DESIGNED TO SUPPORT PIPING WEIGHT.

.005 DA-STVP / .005 DA-STVP-2T VERTICAL PUMPS

SECTION	DRAWING NO.	REV.	DATE
5DA	TK-5DASTVP-LIT	4	12/21/2023