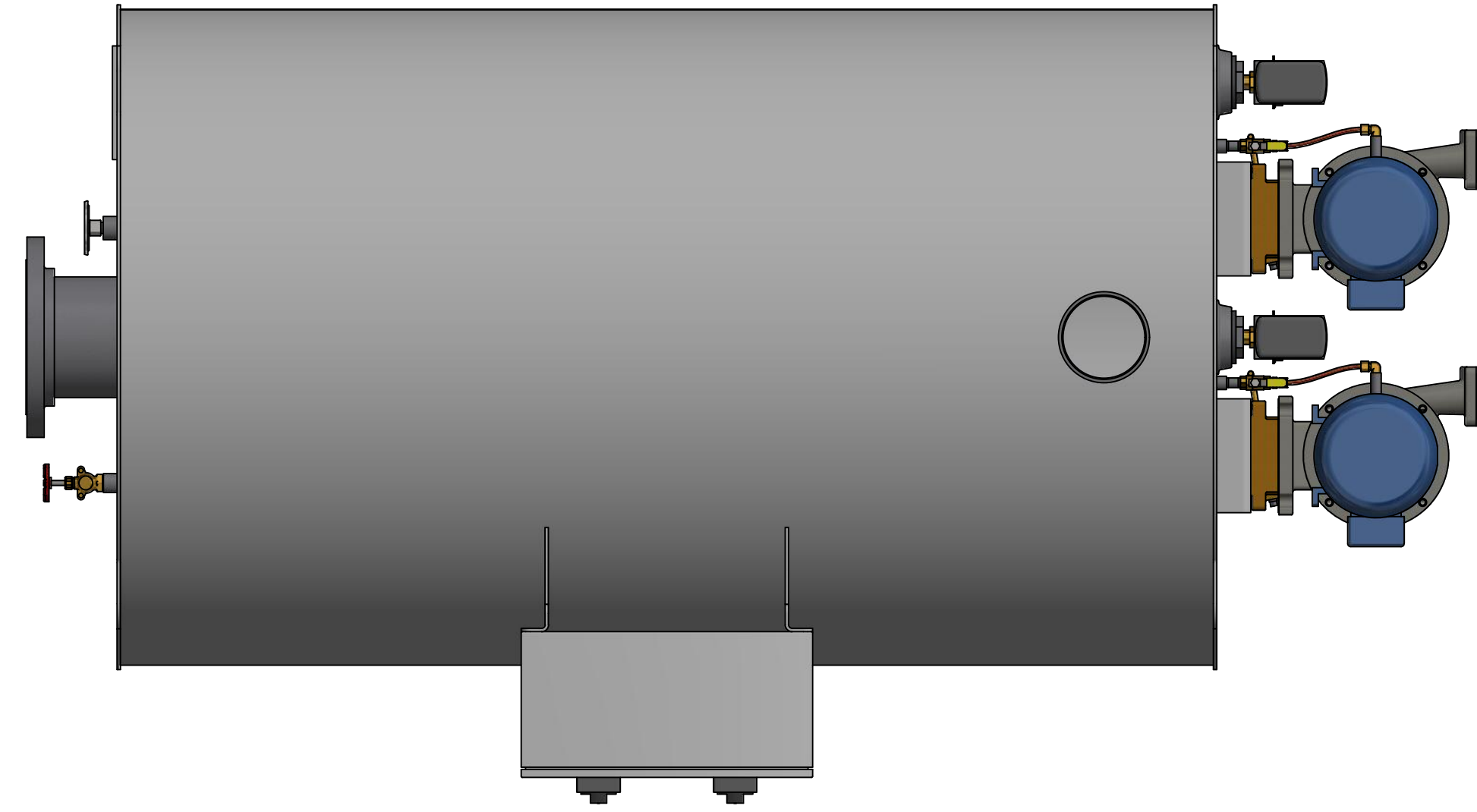
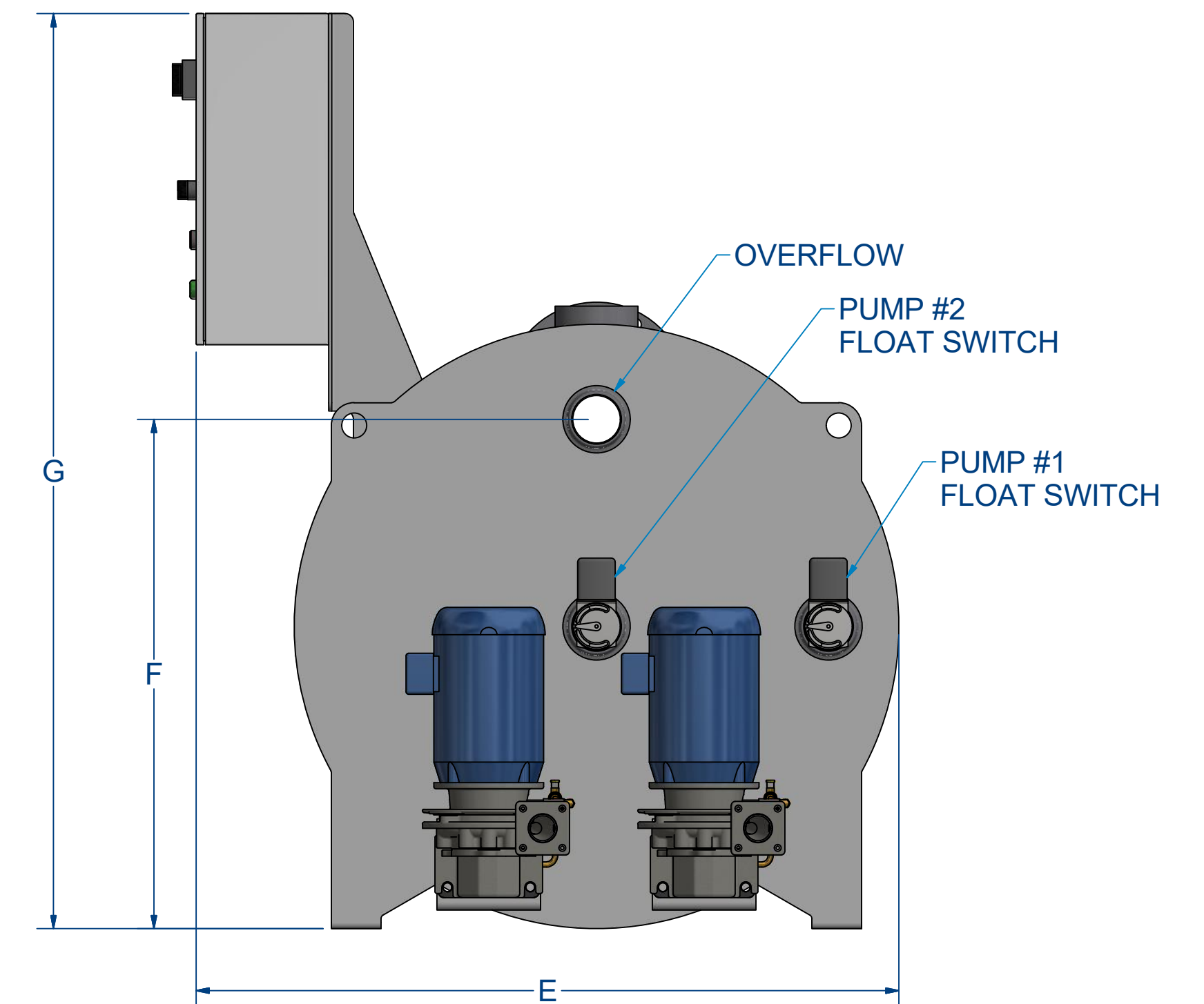
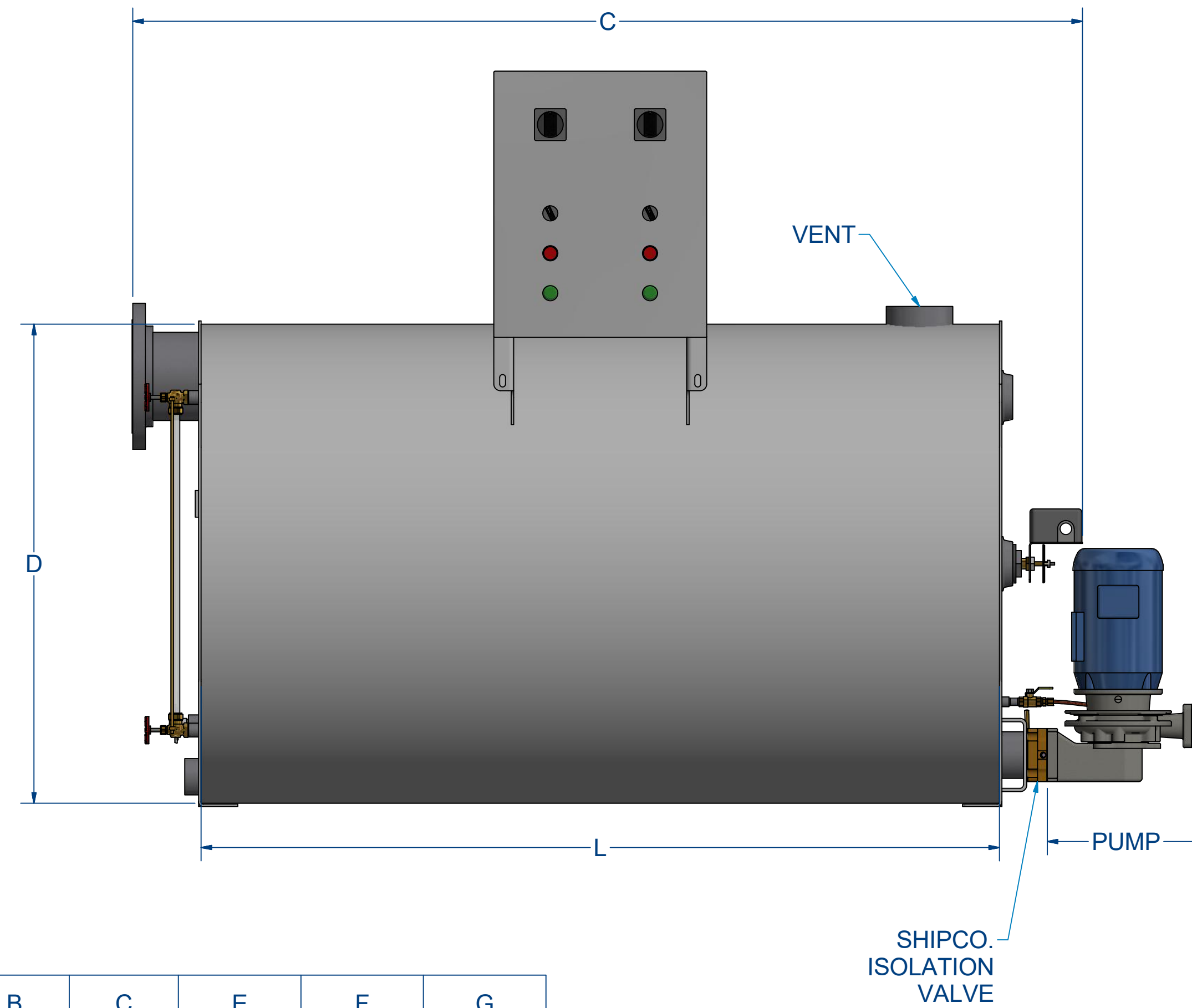
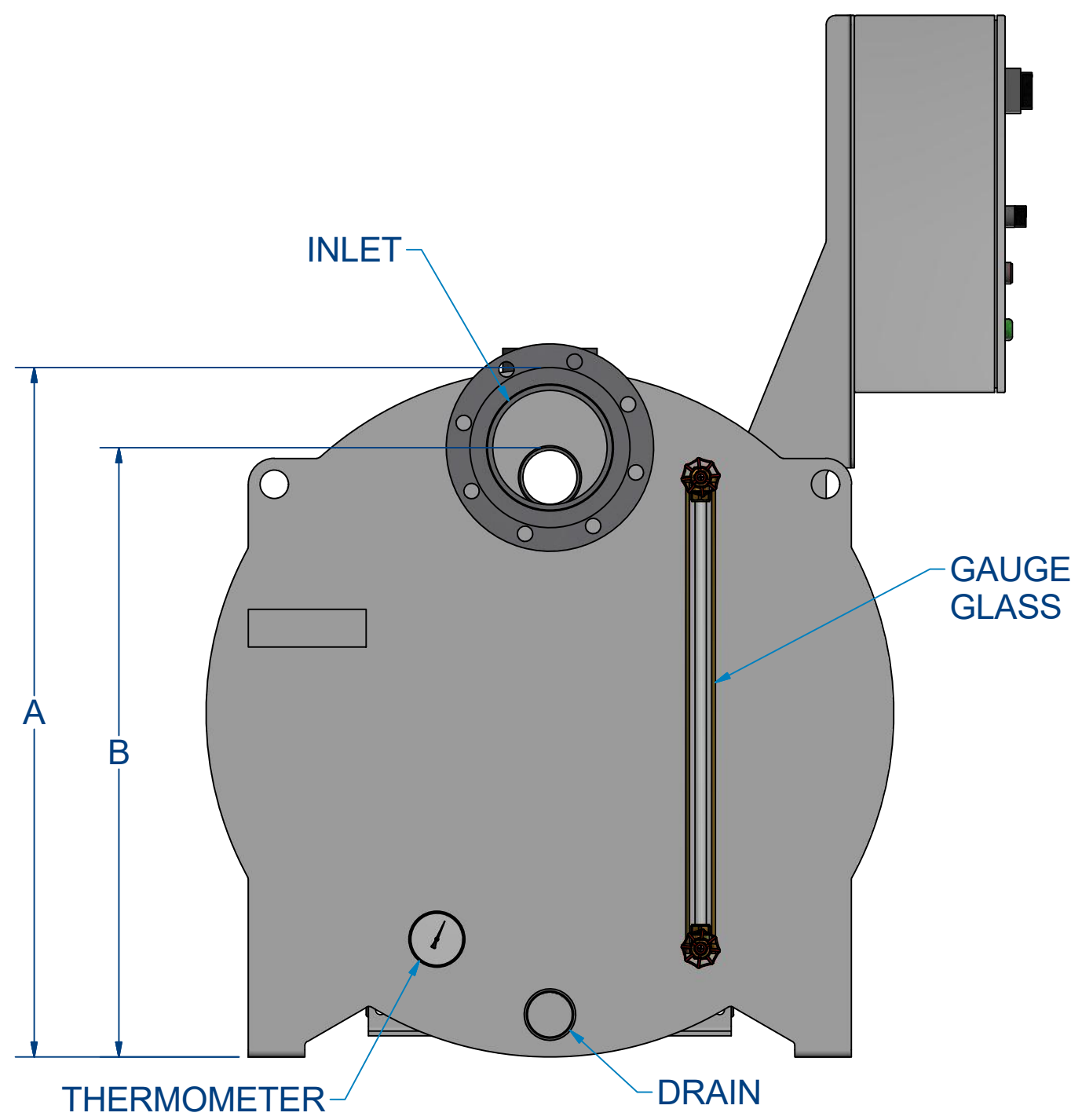


NOTE: A = 0 FOR ALL END SUCTION PUMPS

MODEL	A	B	C
106-D	4 3/4	4	3 1/2
110-D	4 3/4	4 1/4	0
113-D	5 3/8	5 7/16	3 1/4
114-D	7	6 3/4	3 1/4
116-D	5 3/8	8 3/8	3 1/4
116-AWF	6 9/16	5 7/8	3 1/8
117-D	5 3/8	5 7/16	-9/16
121-D	5 3/8	6 11/16	-9/16
121-AW	0	6 3/4	3 3/4
127-D	5 3/8	6 11/16	3 1/4
128-D	7	3 13/16	5
129-D	7	6 3/4	5
129-AW	0	8 1/4	5
130-D	7	6 3/4	5
130-AW	0	8 1/4	5
131-D	7	6 3/4	5 3/4
132-D	8 1/2	8	6 3/8
133-AW	8 1/2	9 1/8	5 3/4



-INSTALL ALL DRAIN PIPING FULL SIZE TO AIR GAP OR OPEN DRAIN
 -UNIT IS NOT DESIGNED TO SUPPORT PIPING.
 -ALL CONNECTING PIPING MUST BE FIELD SUPPORTED & ANCHORED.



D	L	GAL.	INLET	OVERFLOW	VENT	DRAIN	A	B	C	E	F	G
22	30	49	4 NPT	2 NPT	2 1/2 NPT	1/2 NPT	22 1/2	21 1/8	37 3/16	28 7/16	18 3/16	42 1/4
24	36	70	4 NPT	2 NPT	2 1/2 NPT	1/2 NPT	24 1/2	21 1/8	55 7/16	30 7/16	20 1/16	43 9/16
24	48	94	4 NPT	2 NPT	2 1/2 NPT	1/2 NPT	24 1/2	21 1/8	55 7/16	30 7/16	20 1/16	43 9/16
24	60	117	4 NPT	2 NPT	2 1/2 NPT	3/4 NPT	24 1/2	21 1/8	55 7/16	30 7/16	20 1/16	43 9/16
30	48	147	4 NPT	2 NPT	3 NPT	1 1/2 NPT	30 1/2	26 15/16	67 3/16	36 7/16	26 1/8	47 13/32
30	60	184	4 NPT	4 NPT	3 NPT	1 1/2 NPT	30 1/2	26 15/16	67 3/16	36 7/16	26 1/8	47 13/32
32	60	209	4 FLG	2 1/2 NPT	4 NPT	1 1/2 NPT	32 1/2	28 15/16	67 7/16	38 7/16	28 5/16	48 11/16
30	72	220	6 FLG	2 1/2 NPT	3 NPT	1 1/2 NPT	30 1/2	26 15/16	83 3/8	48 7/16	36 3/4	47 13/32
36	60	264	6 FLG	2 1/2 NPT	4 NPT	1 1/2 NPT	36 1/2	32 5/16	71 3/8	42 7/16	30 3/4	51 3/16
36	72	317	6 FLG	2 1/2 NPT	4 NPT	1 1/2 NPT	36 1/2	32 5/16	83 3/8	42 7/16	30 3/4	51 3/16
36	84	370	6 FLG	2 1/2 NPT	4 NPT	1 1/2 NPT	36 1/2	32 5/16	95 3/8	42 7/16	30 3/4	51 3/16
42	72	432	6 FLG	2 1/2 NPT	6 FLG	1 1/2 NPT	42 1/2	38 5/16	83 3/8	48 7/16	36 3/4	54 31/32
42	84	504	6 FLG	2 1/2 NPT	6 FLG	1 1/2 NPT	42 1/2	38 5/16	95 3/8	48 7/16	36 3/4	54 31/32

STANDARD PLATE THICKNESS - 3/16"



SHIPPENSBURG PUMP CO., INC.

P.O. Box 279 Shippensburg, PA 17257
 (717) 532-7321 • www.shipcopumps.com

SHIPCO® is a registered trademark of Shippensburg Pump Co., Inc.

**CYLINDRICAL STEEL
 CONDENSATE UNIT**

SECTION	DRAWING NO.	REV.	DATE
CSC-B	TK-CSC-B-LIT	2	6/14/2023