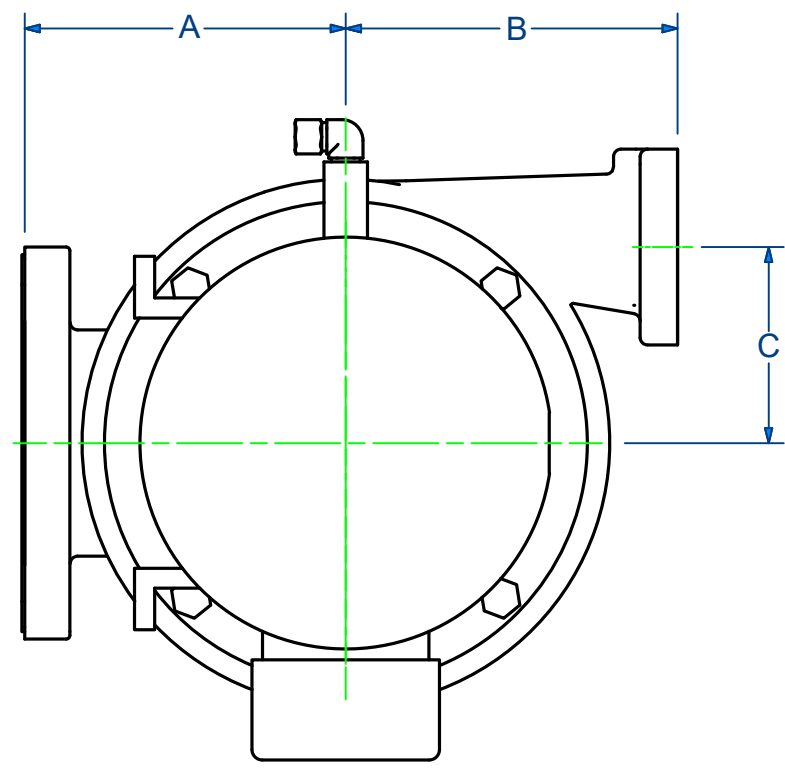
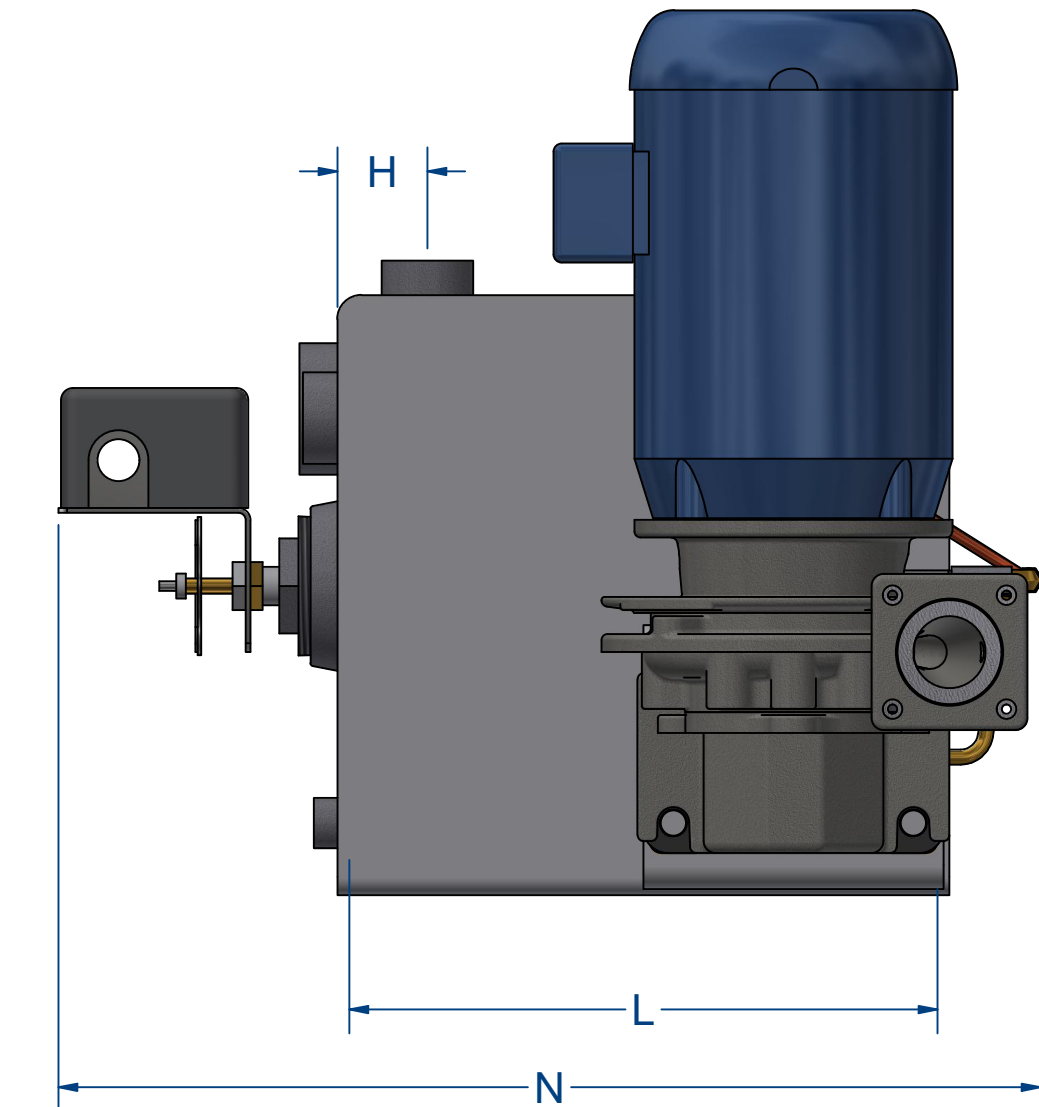
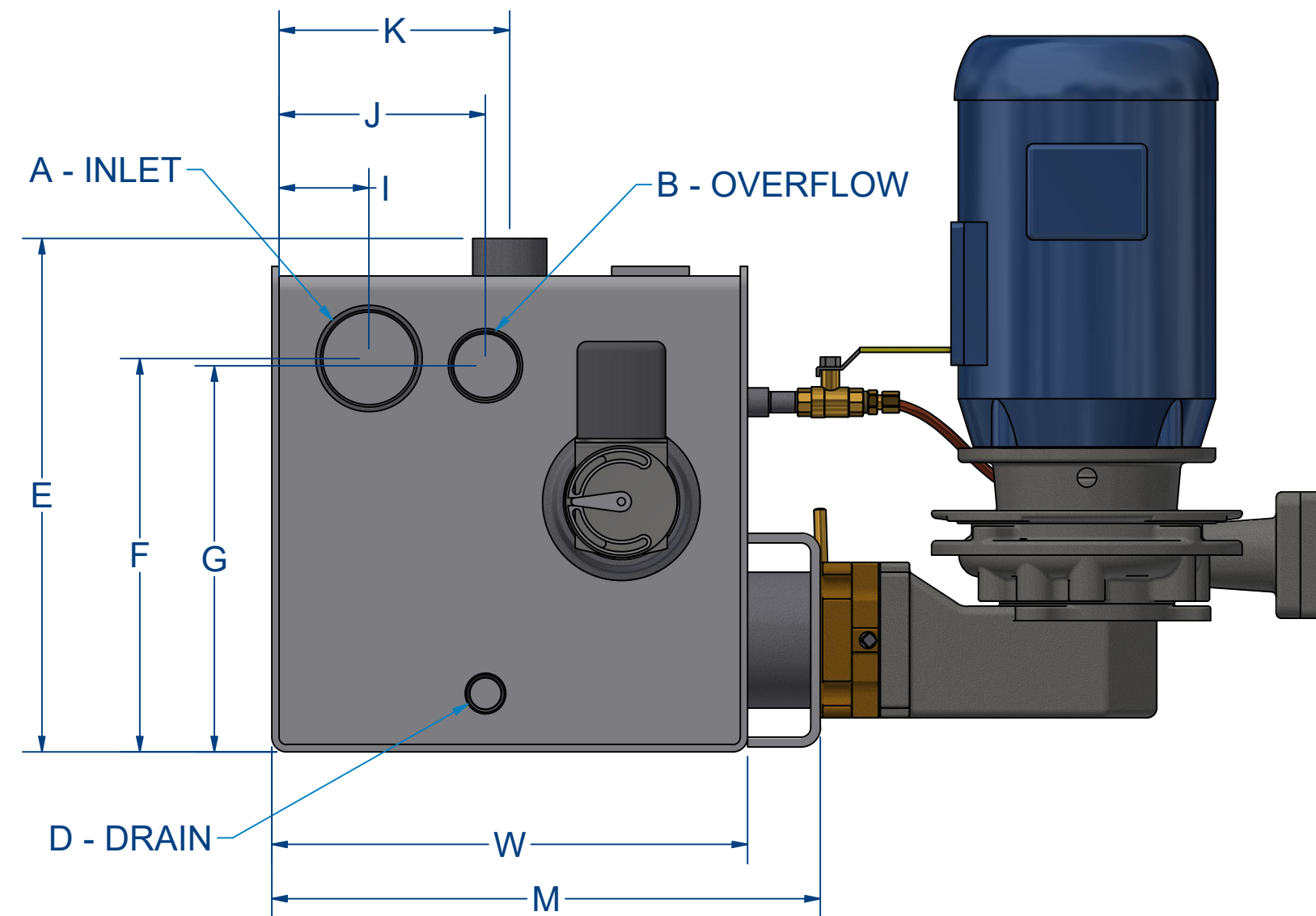


# 7 1/2 GAL - SIMPLEX ONLY

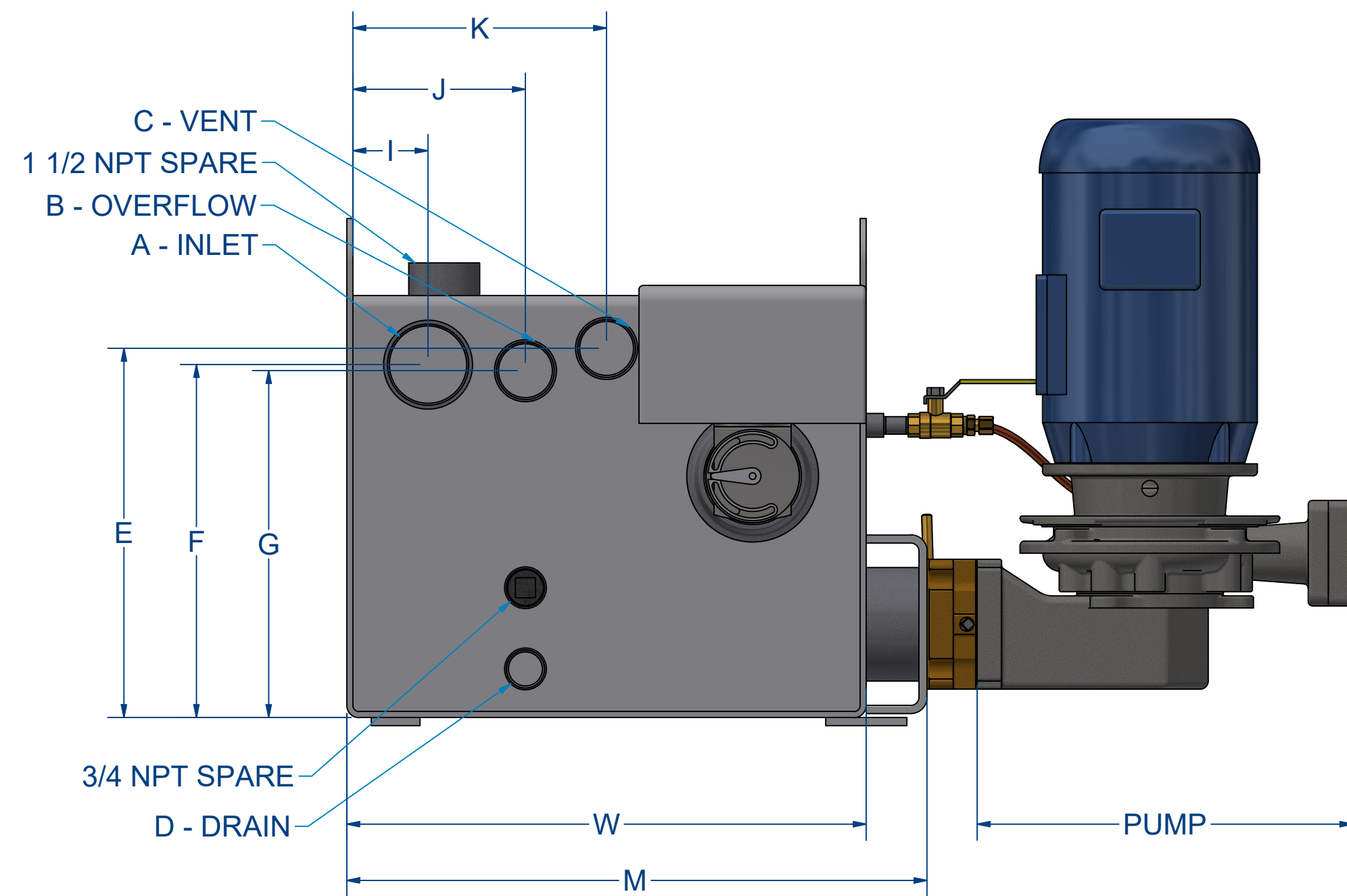


NOTE: A = 0 FOR ALL END SUCTION PUMPS

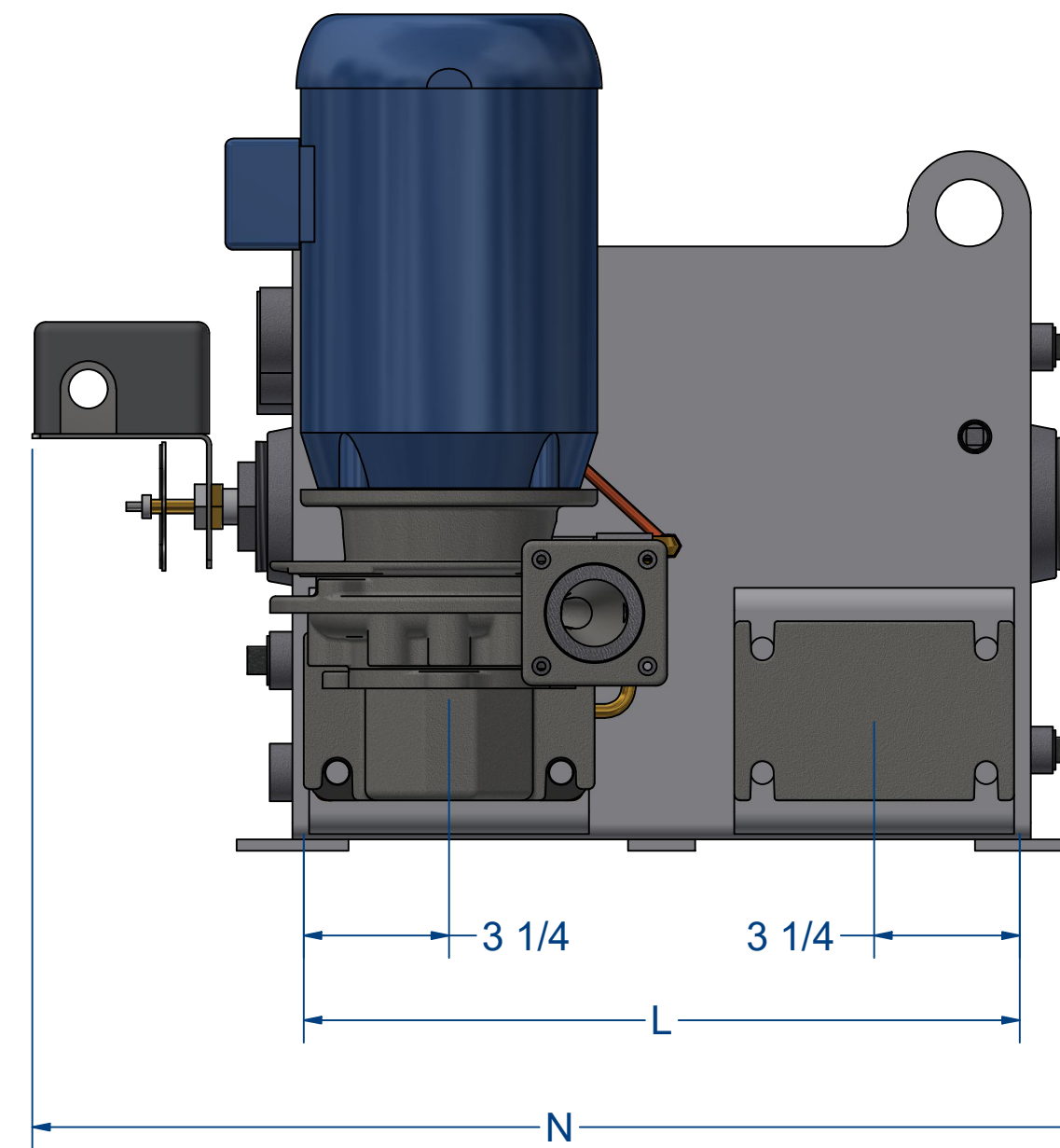
| MODEL   | A      | B       | C     |
|---------|--------|---------|-------|
| 106-D   | 4 3/4  | 4       | 3 1/2 |
| 110-D   | 4 3/4  | 4 1/4   | 0     |
| 113-D   | 5 3/8  | 5 7/16  | 3 1/4 |
| 114-D   | 7      | 6 3/4   | 3 1/4 |
| 116-D   | 5 3/8  | 8 3/8   | 3 1/4 |
| 116-AWF | 6 9/16 | 5 7/8   | 3 1/8 |
| 117-D   | 5 3/8  | 5 7/16  | -9/16 |
| 121-D   | 5 3/8  | 6 11/16 | -9/16 |
| 121-AW  | 0      | 6 3/4   | 3 3/4 |
| 127-D   | 5 3/8  | 6 11/16 | 3 1/4 |
| 128-D   | 7      | 3 13/16 | 5     |
| 129-D   | 7      | 6 3/4   | 5     |
| 129-AW  | 0      | 8 1/4   | 5     |
| 130-D   | 7      | 6 3/4   | 5     |
| 130-AW  | 0      | 8 1/4   | 5     |
| 131-D   | 7      | 6 3/4   | 5 3/4 |
| 132-D   | 8 1/2  | 8       | 6 3/8 |
| 133-AW  | 8 1/2  | 9 1/8   | 5 3/4 |



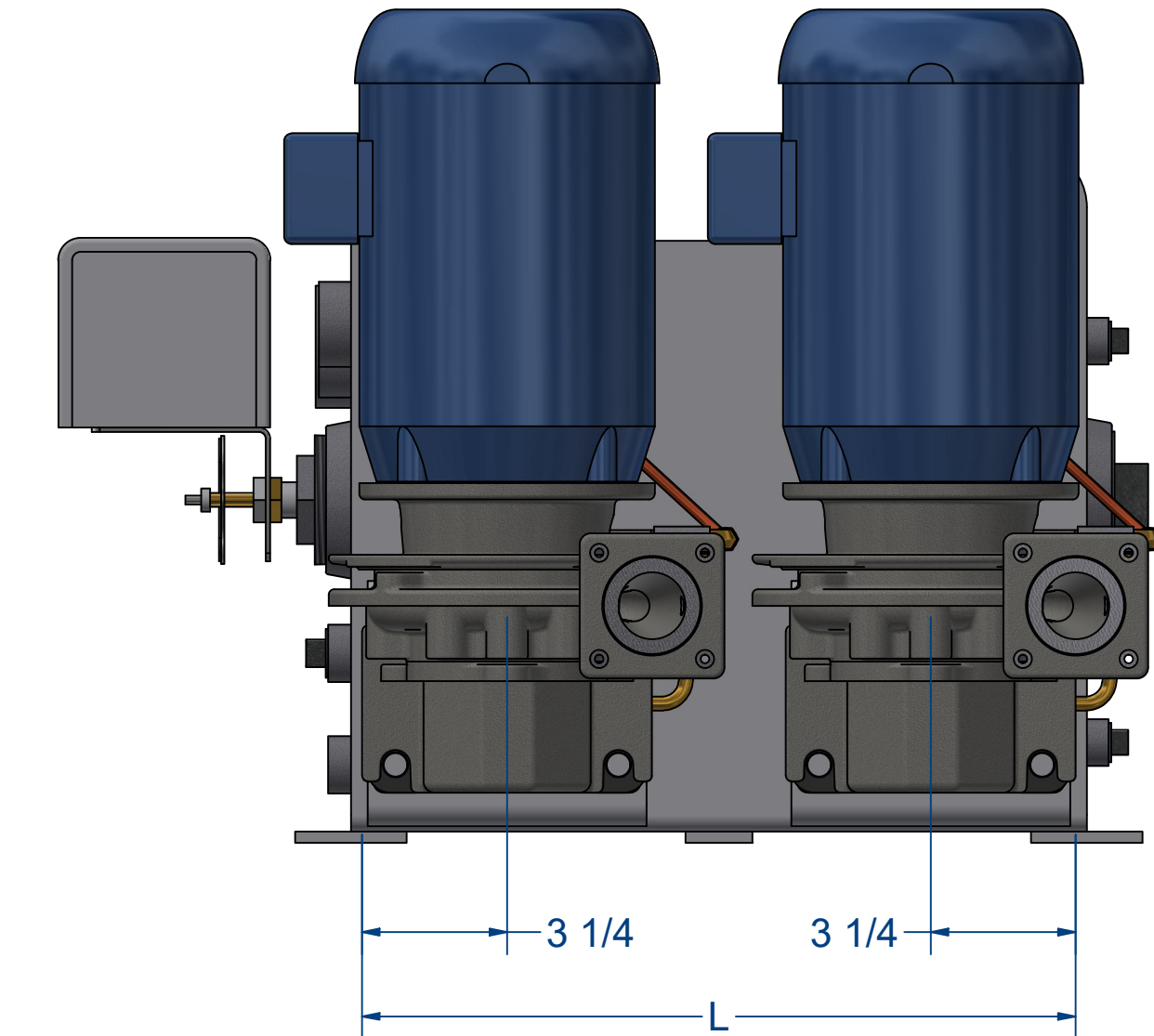
# 15 GAL or 21 GAL - SIMPLEX or DUPLEX



## SIMPLEX



## DUPLEX



STANDARD PLATE THICKNESS - 3/16"



**SHIPPENSBURG PUMP CO., INC.**

P.O. Box 279 Shippensburg, PA 17257  
(717) 532-7321 • www.shipcopumps.com

SHIPCO® is a registered trademark of Shippensburg Pump Co., Inc.

NOTE: ADDITIONAL ACCESSORIES & CUSTOMIZATION AVAILABLE IN "DS" PRODUCT LINE

- INSTALL ALL DRAIN PIPING FULL SIZE TO AIR GAP OR OPEN DRAIN
- UNIT IS NOT DESIGNED TO SUPPORT PIPING.
- ALL CONNECTING PIPING MUST BE FIELD SUPPORTED & ANCHORED.

TABLE

| REC   | L     | W     | H     | A     | B         | C         | D       | E     | F     | G     | I   | J   | K    | M     | N     |
|-------|-------|-------|-------|-------|-----------|-----------|---------|-------|-------|-------|-----|-----|------|-------|-------|
| 7 1/2 | 12.25 | 12.25 | 12.25 | 2 NPT | 1 1/4 NPT | 1 1/4 NPT | 3/4 NPT | 13.25 | 10.13 | 10    | 2.5 | 5.5 | 6.13 | 14.13 | 20.5  |
| 15    | 16    | 16    | 13    | 2 NPT | 1 1/4 NPT | 1 1/4 NPT | 3/4 NPT | 10.5  | 10    | 9.5   | 2.5 | 5.5 | 8    | 17.88 | 24    |
| 21    | 18.25 | 18.25 | 15.25 | 2 NPT | 1 1/4 NPT | 1 1/4 NPT | 3/4 NPT | 12.75 | 12.25 | 11.75 | 3   | 5.5 | 8    | 20.13 | 26.25 |

## TYPE LP STEEL RECEIVER

| SECTION | DRAWING NO. | REV. | DATE     |
|---------|-------------|------|----------|
| LP      | TK-LP-LIT   | 3    | 2/2/2026 |