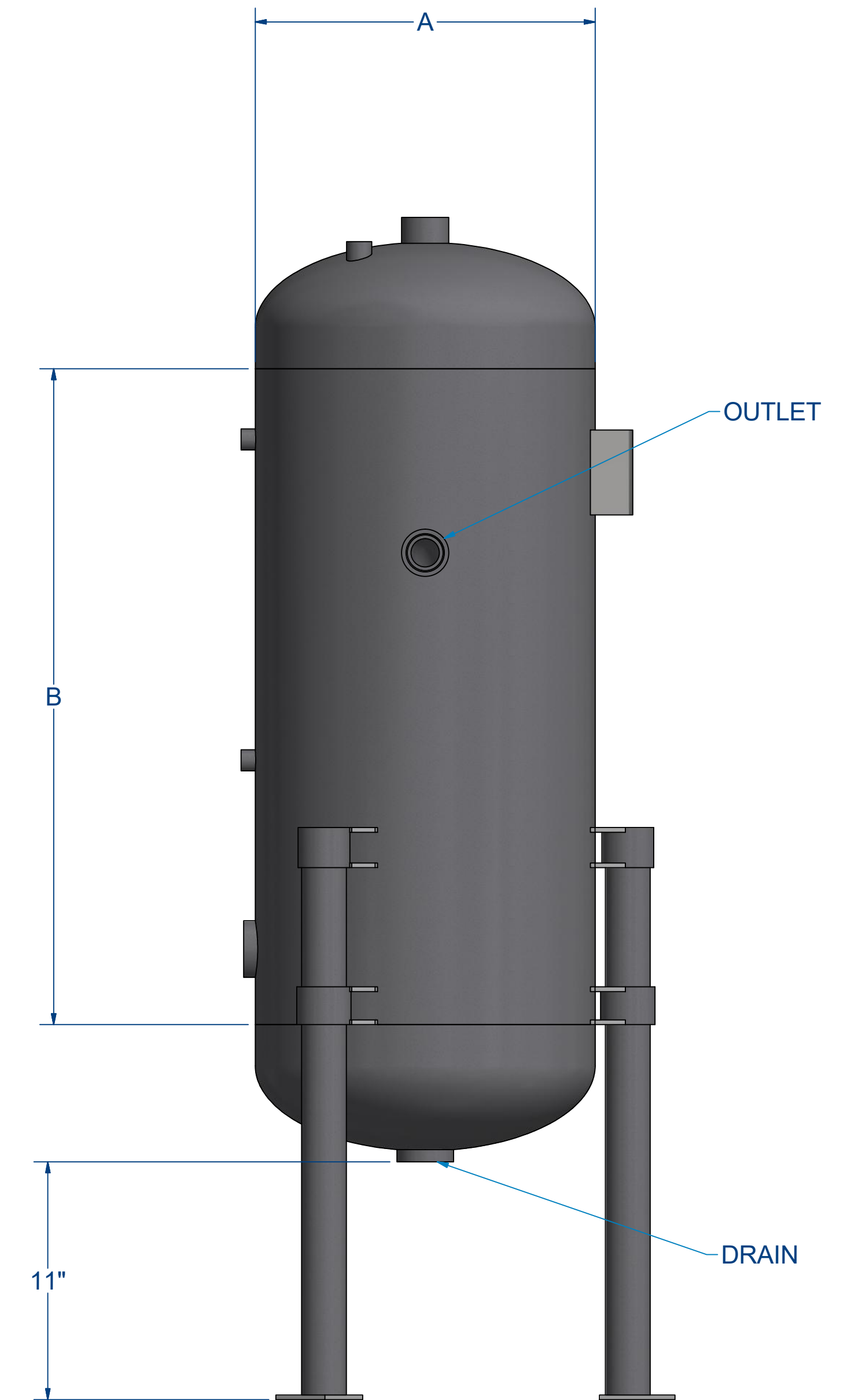
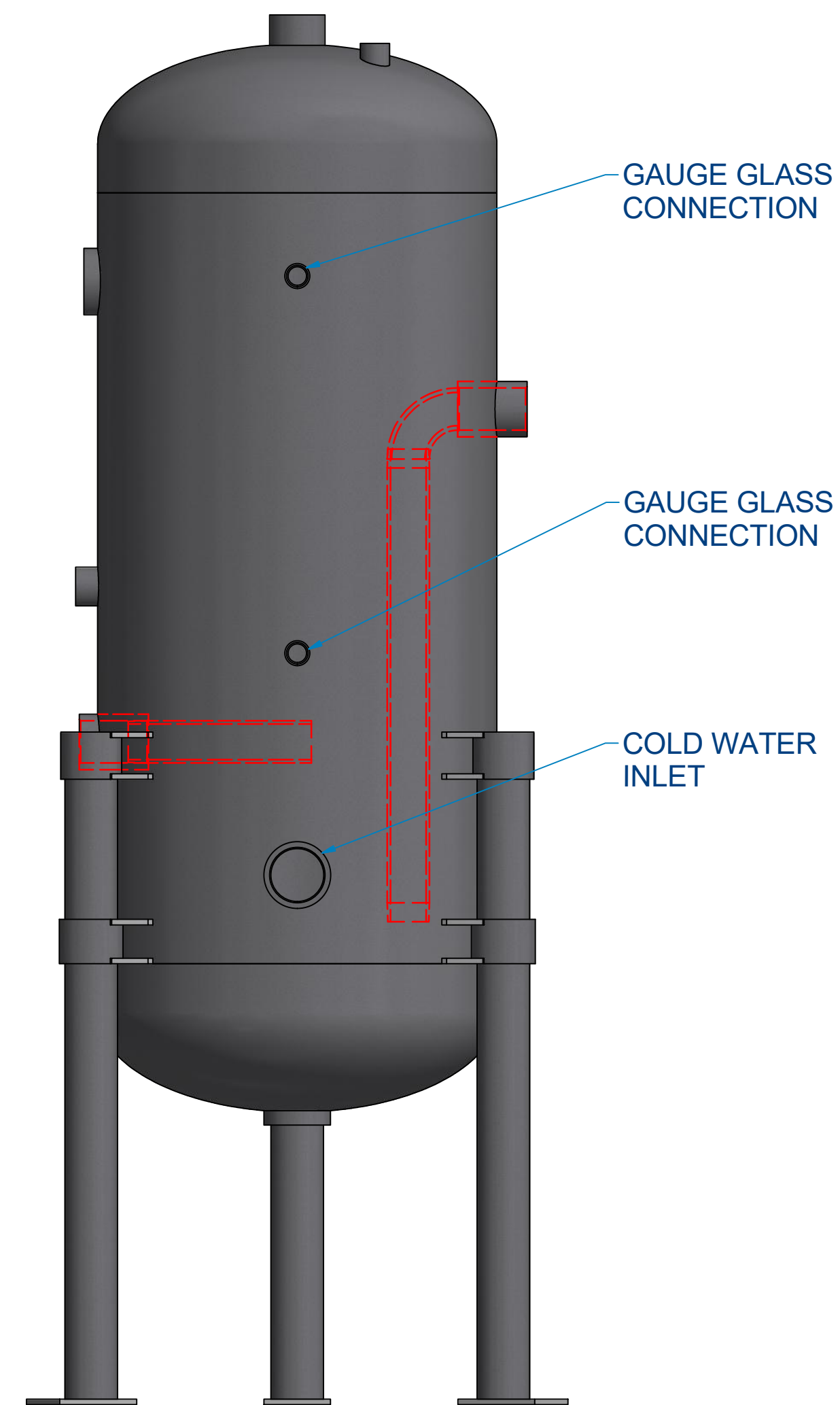
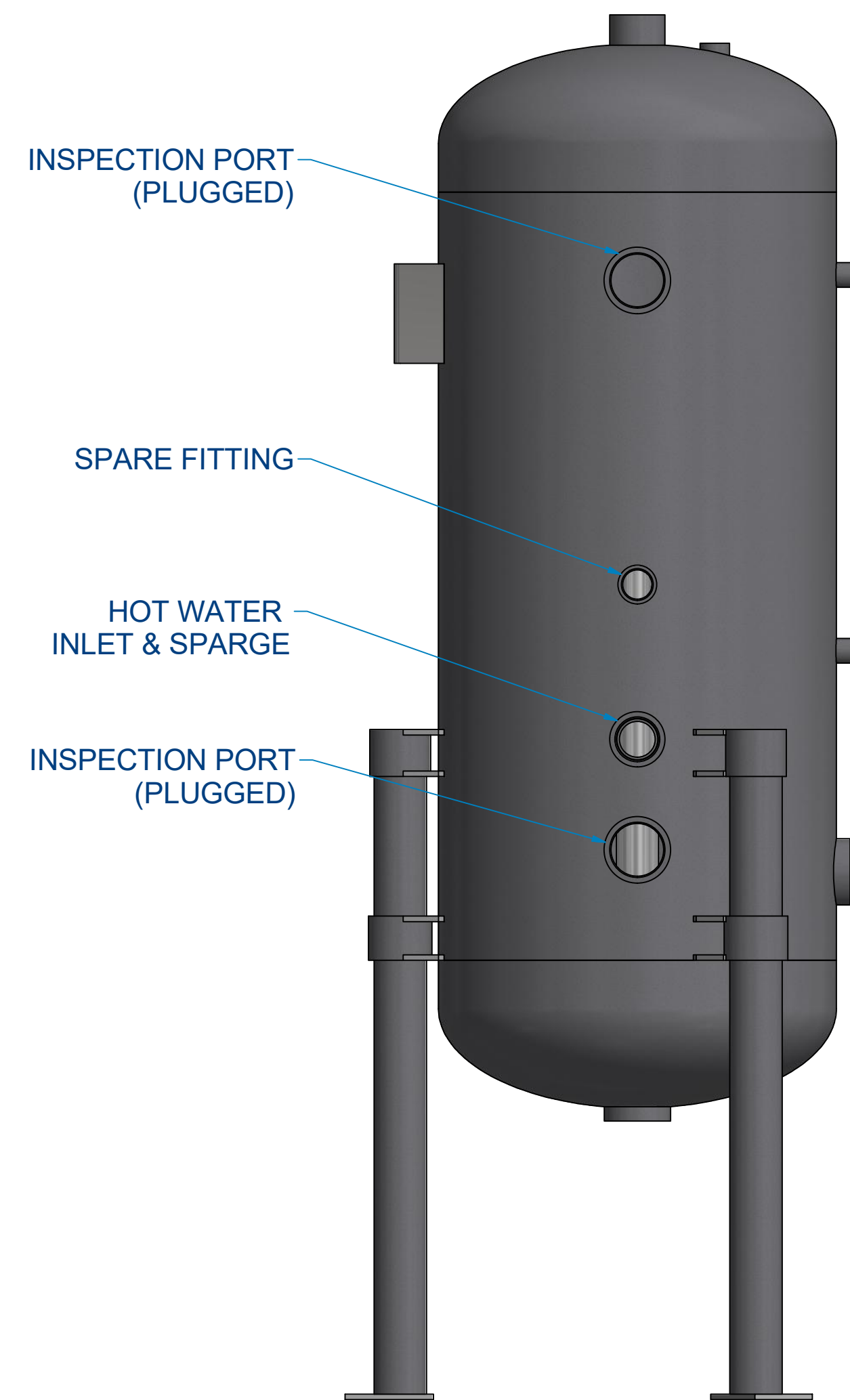
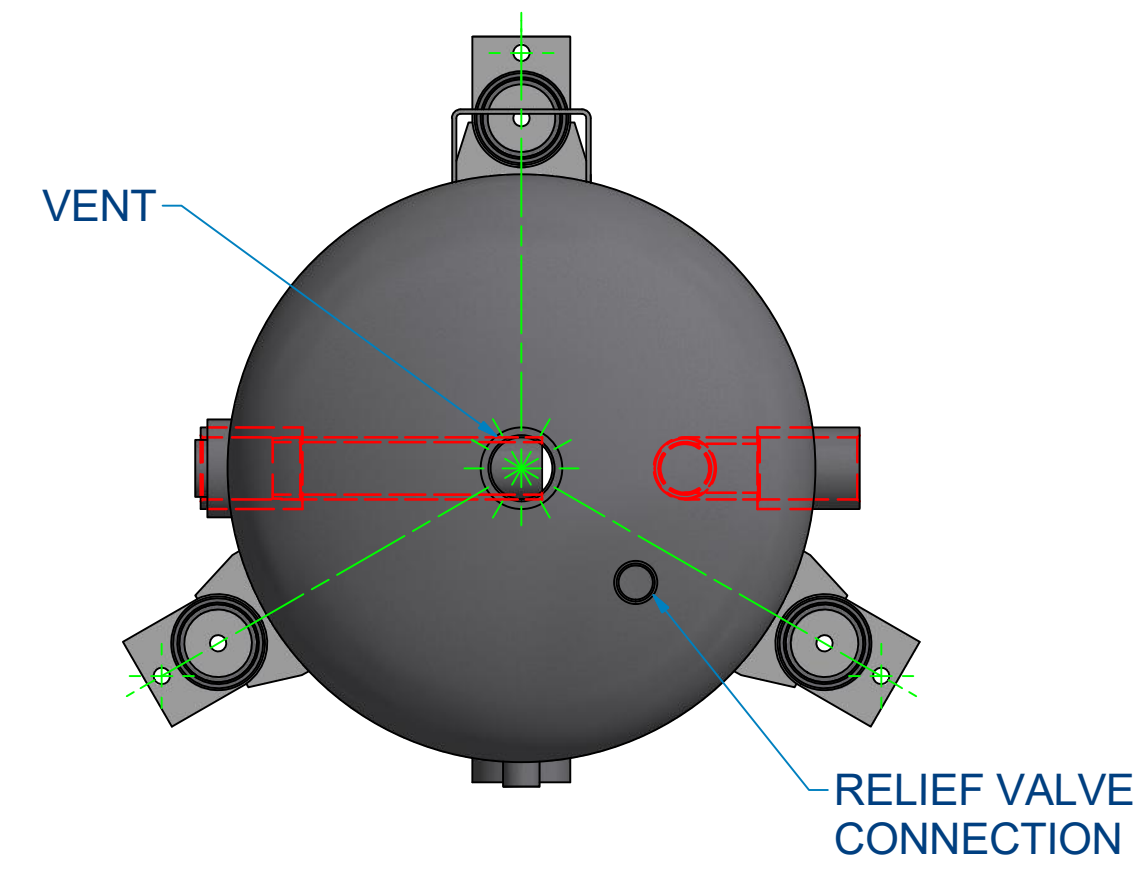


- NOTE:
1. ALL NPT CONNECTIONS ARE 3000#
 2. DRAWING IS FOR REFERENCE ONLY
 3. ALL DIMENSIONS ARE APPROXIMATE
 4. CONSULT FACTORY FOR CUSTOM APPLICATIONS



A	B
10"	36"
12"	36"
14"	42"
16"	48"
18"	54"
20"	60"
24"	72"
30"	90"



SHIPPENSBURG PUMP CO., INC.

P.O. Box 279 Shippensburg, PA 17257
(717) 532-7321 • www.shipcopumps.com

SHIPCO® is a registered trademark of Shippensburg Pump Co., Inc.

ALL DIMENSIONS ARE APPROXIMATE

VERTICAL FLASH TANK

SECTION	DRAWING NO.	REV.	DATE
VFT	TK-VFT-LIT	0	01/24/2022