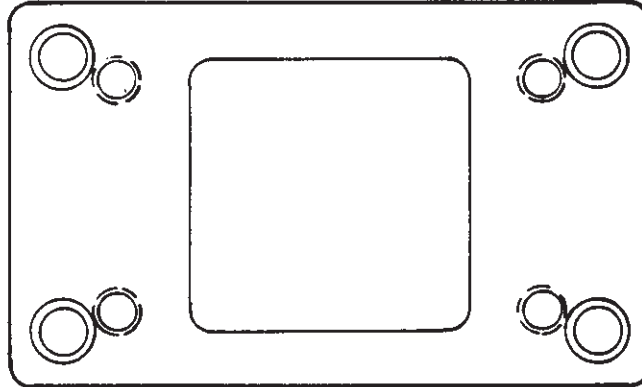


SHIPCO[®]
PUMPS

**ADAPTER
FLANGES**

**ADAPTER
FLANGES
— FOR —
RETROFIT**

RETROFIT TO AURORA

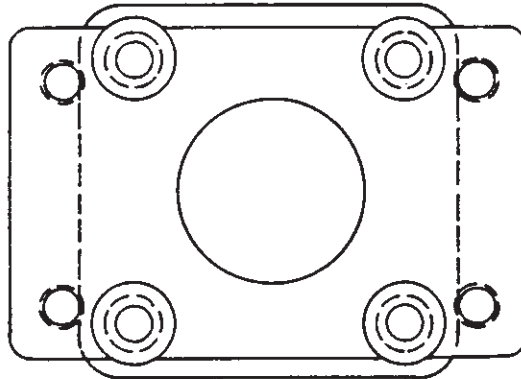


ITEM NUMBER SDPF00249

**BOLT PATTERN 6¼" HORIZONTALLY × 3¼" VERTICALLY
CENTER LINE TO CENTER LINE BOLT HOLES.**

INCLUDES (4) ½" DIA. × 1¼" LG. SOC. HD. CAP SCREWS

RETROFIT TO DUNHAM BUSH

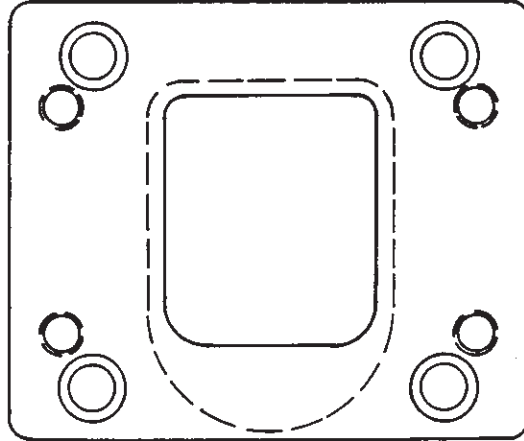


ITEM NUMBER SDPF00159

**BOLT PATTERN 3¼" HORIZONTALLY × 3¼" VERTICALLY
CENTER LINE TO CENTER LINE BOLT HOLES.**

**INCLUDES (4) ⅜" DIA. × 1¼" LG. SOC. HD. CAP SCREWS
(1) 20 GA. COVER PLATE w/1 GASKET**

RETROFIT TO ECONOMY

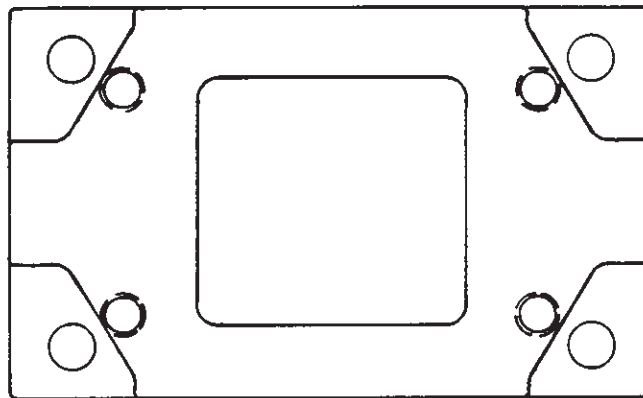


ITEM NUMBER SDPF00182

**BOLT PATTERN 4¼" HORIZONTALLY × 4" VERTICALLY
CENTER LINE TO CENTER LINE BOLT HOLES.**

INCLUDES (4) ½" DIA. × 1¼" LG. SOC. HD. CAP SCREWS

RETROFIT TO FEDERAL

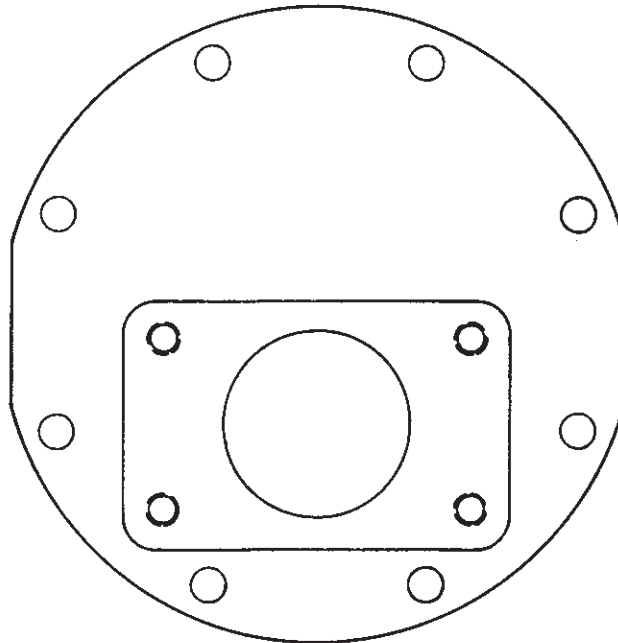


ITEM NUMBER SDPF00168

**BOLT PATTERN 6¼" HORIZONTALLY × 3½" VERTICALLY
CENTER LINE TO CENTER LINE BOLT HOLES.**

INCLUDES (4) ½" DIA. × 1¼" HEX. HD. CAP SCREWS

RETROFIT TO NASH

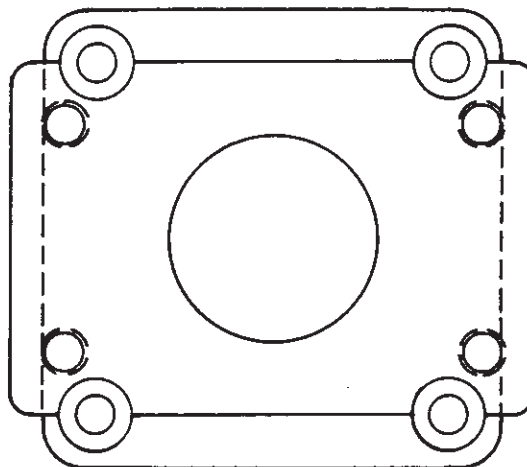


ITEM NUMBER SDPF00034

BOLT PATTERN 9 $\frac{1}{8}$ " DIAMETER

INCLUDES (8) $\frac{1}{2}$ " DIA. x 1 $\frac{1}{4}$ " LG. HEX. HD. CAP SCREWS

RETROFIT TO SKIDMORE

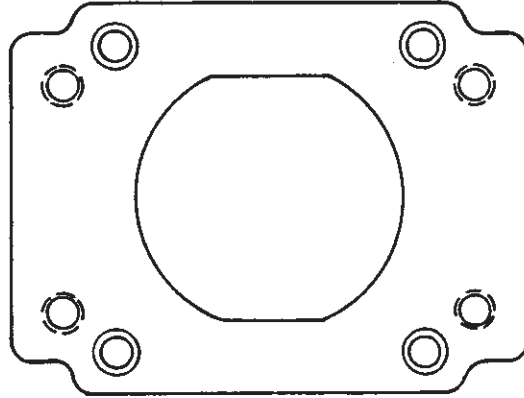


ITEM NUMBER SDPF00245

**BOLT PATTERN 4 $\frac{1}{4}$ " HORIZONTALLY x 4 $\frac{1}{4}$ " VERTICALLY
CENTER LINE TO CENTER LINE BOLT HOLES.**

INCLUDES (4) $\frac{3}{8}$ " DIA. x 1 $\frac{1}{4}$ " LG. SOC. HD. CAP SCREWS

RETROFIT TO STERLING

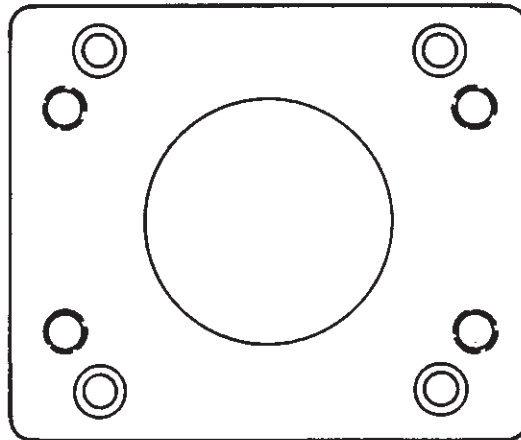


ITEM NUMBER SDPF00167

**BOLT PATTERN 3 $\frac{3}{4}$ " HORIZONTALLY × 3 $\frac{3}{4}$ " VERTICALLY
CENTER LINE TO CENTER LINE BOLT HOLES.**

INCLUDES (4) $\frac{3}{8}$ " DIA. × 1 $\frac{1}{4}$ " LG. SOC. HD. CAP SCREWS

RETROFIT TO WEINMAN



ITEM NUMBER SDPF00210

**BOLT PATTERN 4 $\frac{1}{8}$ " HORIZONTALLY × 4 $\frac{1}{8}$ " VERTICALLY
CENTER LINE TO CENTER LINE BOLT HOLES.**

INCLUDES (4) $\frac{3}{8}$ " DIA. × 1 $\frac{1}{4}$ " LG. SOC. HD. CAP SCREWS

FORM ADAPTER FLANGE RETROFIT *Revised 6/03*

SHIPCO® IS A REGISTERED TRADEMARK OF SHIPPENSBURG PUMP CO., INC.
SHIPPENSBURG PUMP COMPANY, INC., P.O. BOX 279, SHIPPENSBURG, PA 17257
PHONE 717-532-7321 • FAX 717-532-7704 • WWW.SHIPCOPUMPS.COM

PRINTED IN THE U.S.A. • BEIDEL PRINTING HOUSE, INC., 717-532-5063 COPYRIGHT © 2003 SHIPPENSBURG PUMP COMPANY, INC.