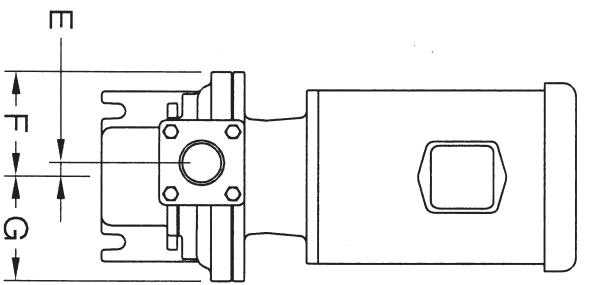
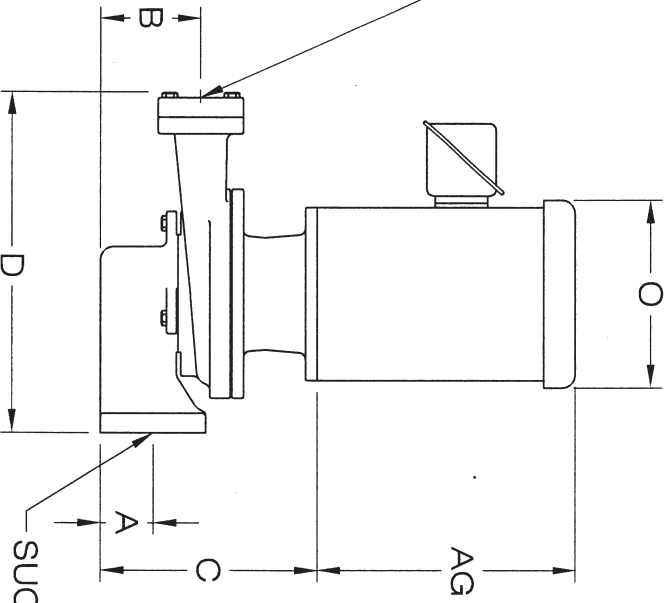
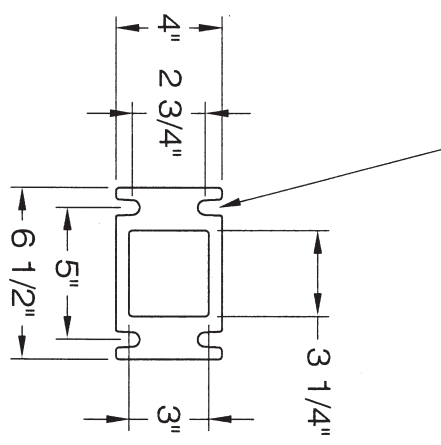


DISCHARGE
(SEE CAPACITY CHART)



MOUNTING HOLES
(4) 1/2" BOLTS



SUCTION

APPROXIMATE MOTOR DIMENSIONS

		3500 RPM					1750 RPM				
MOTOR HP	1/3-1/2	3/4-1	1 1/2-2	3	5	7 1/2	10	15			
DIMENSION O	6 3/4"	6 3/4"	7"	7"	9 1/2"	9 1/2"	11"	11"			
DIMENSION AG	9 1/2"	9 1/2"	10"	11"	12"	13"	15"	16"			
MOTOR HP	1/3-1/2	3/4-1	1 1/2-2	3	5	7 1/2	10	15			
DIMENSION O	6 3/4"	6 3/4"	7"	7"	9 1/2"	9 1/2"	11"	12"			
DIMENSION AG	9 1/2"	9 1/2"	10"	12"	12"	15"	15"	19"			

DISCHARGE CAPACITY	G.P.M.	SIZE
	0-15	3/4"
	16-60	1 1/2"
	61-113	2"
	114-150	2 1/2"
	151-250	3"
	251-400	4"

PUMP MDL.	56J PUMP MTR	JM MTR	56J PUMP MTR	JM MTR
A	2"	2"	2"	2"
B	3 13/16"	3 13/16"	3 13/16"	3 13/16"
C	6 15/16"	8 1/4"	7 3/8"	8 5/8"
D	12 7/8"	12 7/8"	12 7/8"	12 7/8"
E	9/16"	9/16"	9/16"	9/16"
F	4"	4"	4 7/8"	4 7/8"
G	4"	4"	4 7/8"	4 7/8"



MANUFACTURED BY
SHIPCO
SPUMPS
 SHIPPENSBURG PUMP COMPANY INC.
 P.O. Box 279 Shippensburg, Pa. 17257
 PHONE 717 532-7321 / FAX 717 532-7704
 WWW.SHIPCO.PUMPS.COM
 SHIPCO® IS A REGISTERED TRADEMARK OF SHIPPENSBURG PUMP CO., INC.

Model D
 Vertical Flange Mounted

DRAWN BY	J.B.	DATE	3/04	REVISION	.2
DIMENSION PRINT					
Section D Page 0500					