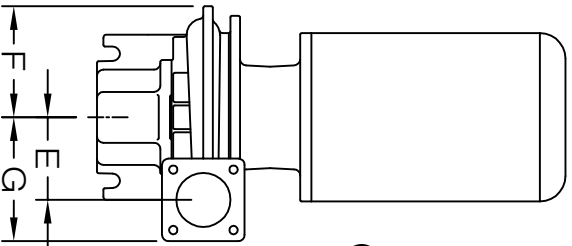
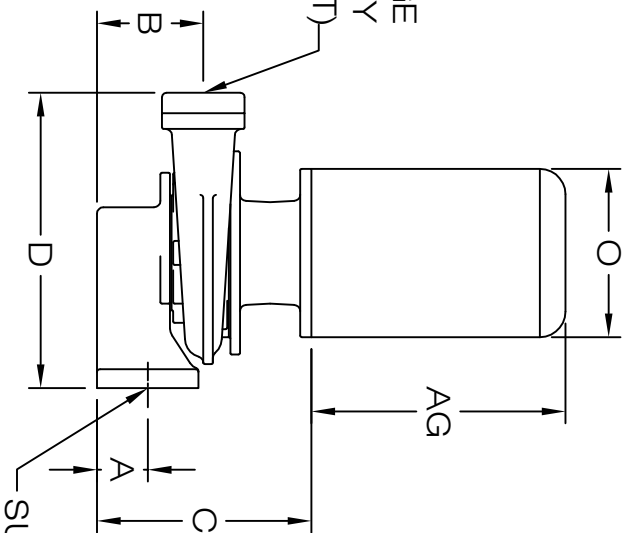


DISCHARGE CAPACITY	G.P.M.	SIZE
0-15	3/4"	
16-60	1 1/2"	
61-113	2"	
114-150	2 1/2"	
151-250	3"	
251-400	4"	

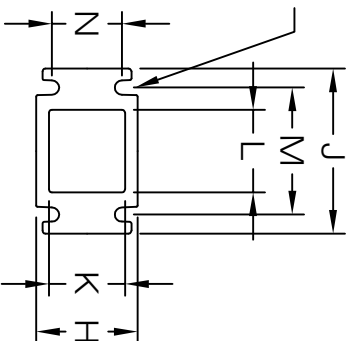


DISCHARGE  
(SEE CAPACITY  
CHART)



SUCTION

MOUNTING  
HOLES  
(4) 1/2" BOLTS



- NOTES:  
 1.) DRAWING FOR REFERENCE USE ONLY.  
 2.) ALL DIMENSIONS ARE APPROXIMATE.  
 3.) ADDING THE SUCTION ADAPTER FLANGE (OPTIONAL) TO THE PUMP, MAKES IT A MODEL DFT.

OPTIONAL SUCTION ADAPTOR FLANGE

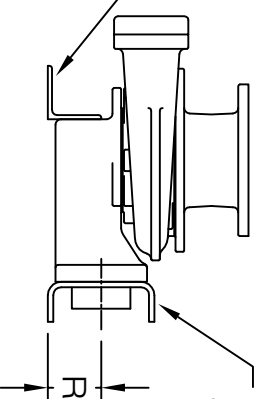
SUCTION SIZE	2"	2 1/2"	3"	4"
R	2 1/2"	2 1/2"	2 3/4"	3 5/8"

2" 2 1/2" 3" USED ON PUMPS (-130 GPM)

4" USED ON PUMPS (+130 GPM)

PUMP MDL	56J PUMP MTR	JM MTR	JM MTR (-130 GPM)	JM MTR (+130 GPM)	56J PUMP MTR	JM MTR	JM MTR (-130 GPM)	JM MTR (+130 GPM)	JM MTR
A	2"	2"	2"	2 3/4"	2"	2"	2"	2 3/4"	2"
B	4 3/16"	4 1/4"	4 1/2"	6 5/16"	4 3/16"	4 3/16"	4 1/2"	4 1/2"	6 5/16"
C	7 1/8"	8 7/16"	8 15/16"	10 3/4"	7"	8 1/4"	8 13/16"	10 5/8"	10 5/8"
D	11 5/8"	11 5/8"	14 3/4"	14 3/4"	11 5/8"	11 5/8"	14 1/2"	14 1/2"	14 1/2"
E	3 1/4"	3 1/4"	3 1/4"	3 1/4"	3 1/4"	3 1/4"	5"	5"	5"
F	4 3/8"	4 3/8"	4 3/4"	4 3/4"	4"	4 1/8"	6 1/8"	6 1/8"	6 1/8"
G	4 7/8"	4 7/8"	5 1/8"	5 1/8"	4 7/8"	4 7/8"	6 5/8"	6 5/8"	6 5/8"
H	4"	4"	4"	5 1/2"	4"	4"	4"	5 1/2"	4"
J	6 1/2"	6 1/2"	6 1/2"	7 1/2"	6 1/2"	6 1/2"	6 1/2"	7 1/2"	6 1/2"
K	3"	3"	3"	4 1/4"	3"	3"	3"	4 1/4"	4 1/4"
L	3 1/4"	3 1/4"	3 1/4"	4 1/4"	3 1/4"	3 1/4"	3 1/4"	4 1/4"	4 1/4"
M	5"	5"	5"	6 1/2"	5"	5"	5"	6 1/2"	5"
N	2 3/4"	2 3/4"	2 3/4"	2 3/4"	2 3/4"	2 3/4"	2 3/4"	2 3/4"	2 3/4"

SUCTION HOUSING  
SUPPORT USED  
TO SUPPORT FRONT  
OF SUCTION HOUSING  
& ANCHOR TO FLOOR



OPTIONAL  
SUCTION  
ADAPTER FLANGE

SUCTION FLANGE DETAIL  
OPTIONAL

APPROXIMATE MOTOR DIMENSIONS

	3500 RPM									
MOTOR HP	1/3-1/2	3/4-1	1 1/2-2	3	5	7 1/2	10	15	20	
DIMENSION O	5 3/4"	6 3/4"	6 3/4"	8 7/8"	10 1/2"	10 1/2"	12 5/8"	12"	12 1/2"	
DIMENSION AG	8 1/4"	9 1/2"	11 1/8"	11 1/4"	12 3/8"	13 7/8"	16 7/8"	20 5/8"	19"	
	1750 RPM									
MOTOR HP	1/3-1/2	3/4-1	1 1/2-2	3	5	7 1/2	10	15		
DIMENSION O	6 3/4"	8 7/8"	8 7/8"	10 1/2"	10 1/2"	12 5/8"	12 5/8"	12"		
DIMENSION AG	7 7/8"	10 1/4"	11 1/4"	12 3/8"	13 7/8"	16 7/8"	18 5/8"	20 5/8"		

**SHIPCO**  
PUMPS

MANUFACTURED BY

SHIPPENSBURG PUMP COMPANY INC.

P.O. Box 279 Shippensburg, Pa. 17257

PHONE 717 532-7321 / FAX 717 532-7704

WWW.SHIPCO.PUMPS.COM

SHIPCO® IS A REGISTERED TRADEMARK OF SHIPPENSBURG PUMP CO., INC.

Model DF  
Vertical Flange Mounted

DRAWN BY  
J.B.

DATE  
6/14

REVISION  
.7

40046

Section D Page 0700