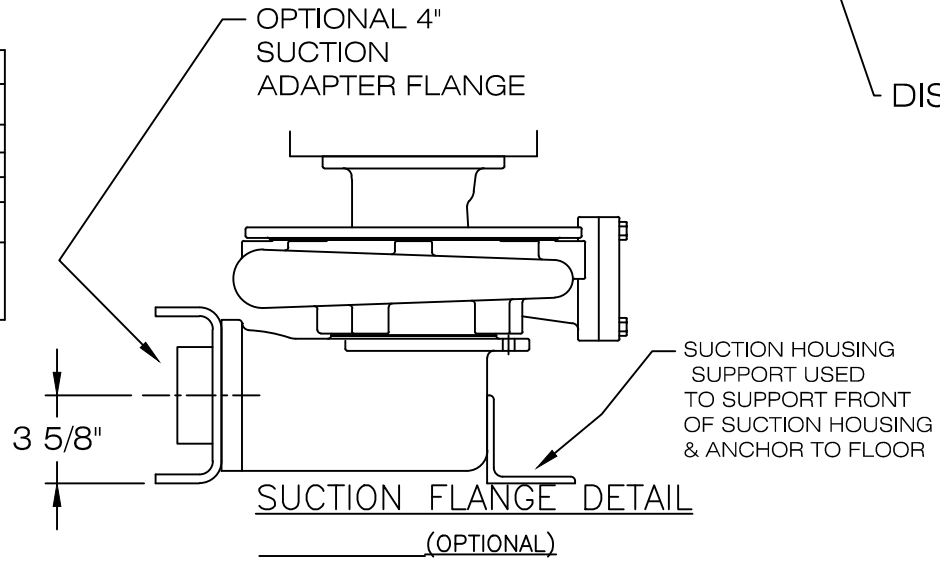
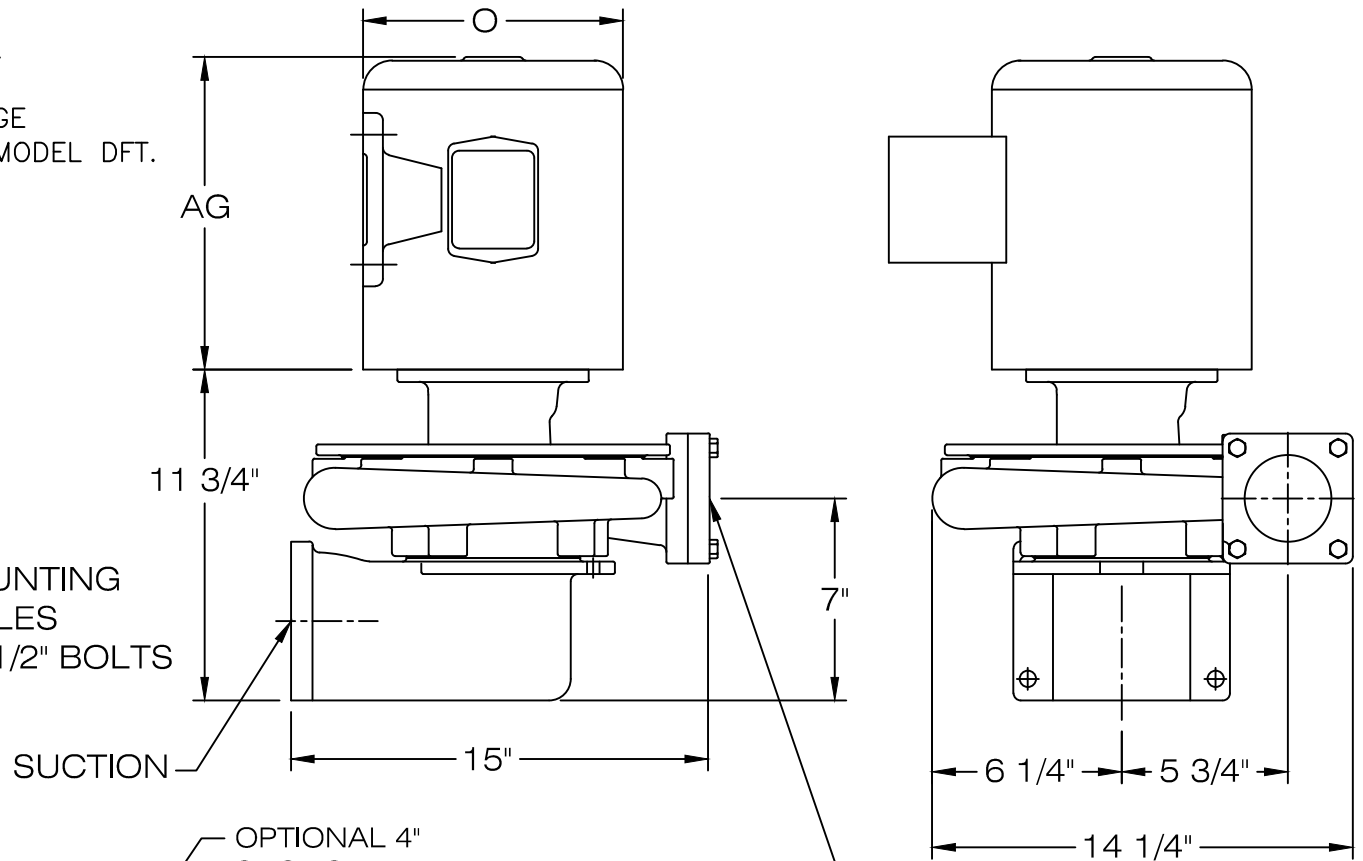
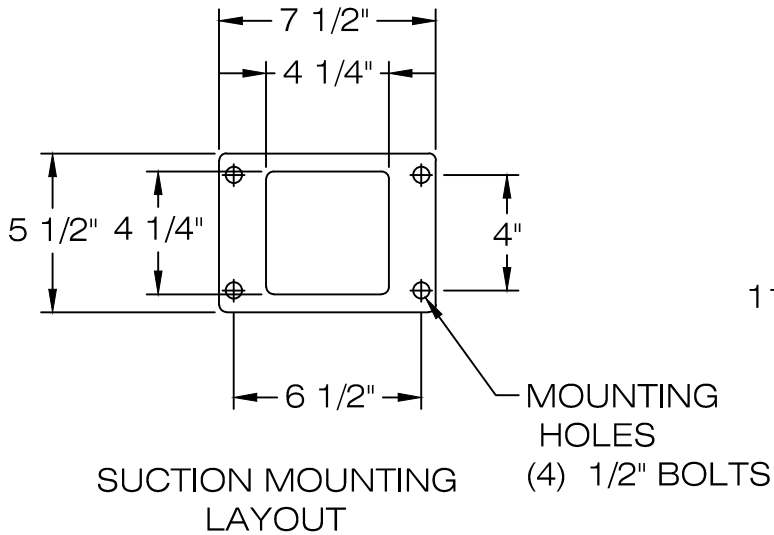


NOTES:

- 1.) DRAWING FOR REFERENCE USE ONLY.
- 2.) ALL DIMENSIONS ARE APPROXIMATE.
- 3.) ADDING THE SUCTION ADAPTER FLANGE (OPTIONAL) TO THE PUMP, MAKES IT A MODEL DFT.



APPROXIMATE MOTOR DIMENSIONS					
3500 RPM					
MOTOR HP	3	5	7 1/2	10	15
DIMENSION O	7"	9 1/2"	9 1/2"	11"	11"
DIMENSION AG	11"	12"	13"	15"	16"
1750 RPM					
MOTOR HP	3	5	7 1/2	10	
DIMENSION O	9 1/2"	9 1/2"	11"	11"	
DIMENSION AG	12"	12"	15"	15"	

SHIPCO®
PUMPS
 MANUFACTURED BY
 SHIPPENSBURG PUMP COMPANY INC.
 P.O. Box 279 Shippensburg, Pa. 17257
 PHONE 717 532-7321 / FAX 717 532-7704
 WWW.SHIPCOPUMPS.COM
 SHIPCO® IS A REGISTERED TRADEMARK OF SHIPPENSBURG PUMP CO., INC.

Model DF		
TYPE 131 / VERTICAL		
Up to 10 HP (1750 RPM) / Up to 15 HP (3500 RPM)		
DRAWN BY J.B.	DATE 2/14	REVISION .5
DIMENSION PRINT 40069		
Section D Page 0800		