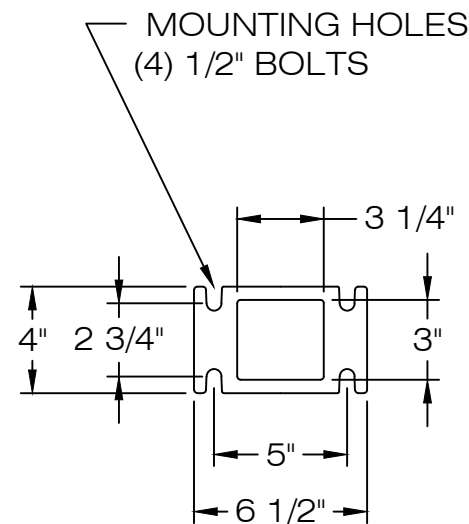
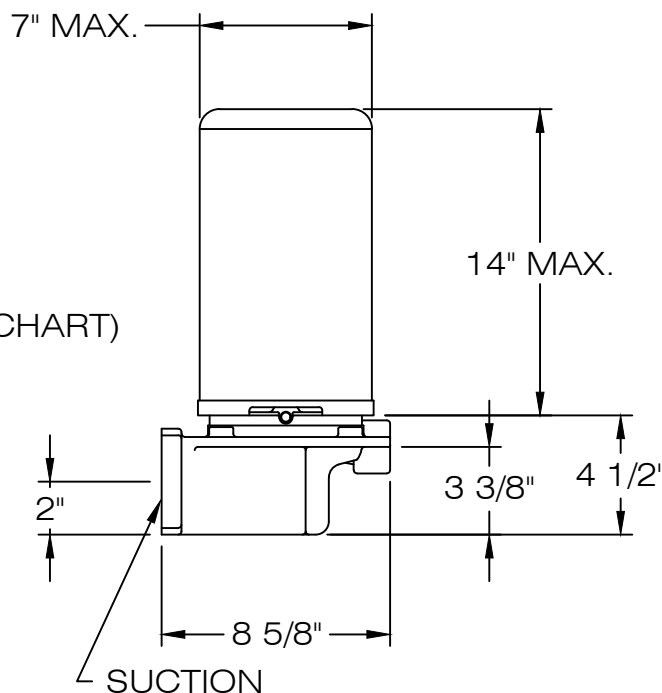
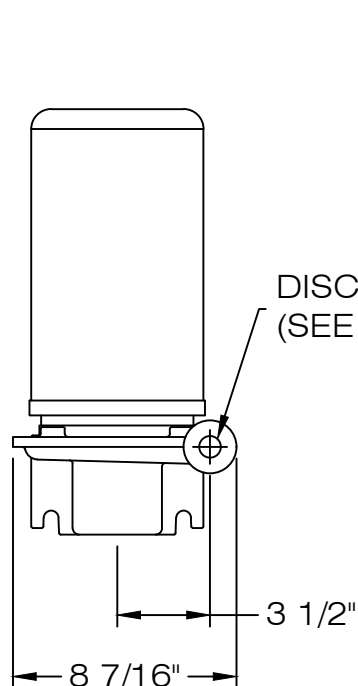


REVISION			
NO.	ENG	DESCRIPTION	DATE
.3	JGB	Added Optional Suction Flange Detail	10/1/2011
.4	JR	Edited Discharge Capacity GPM; was 0-15, 16-30.	4/4/2017

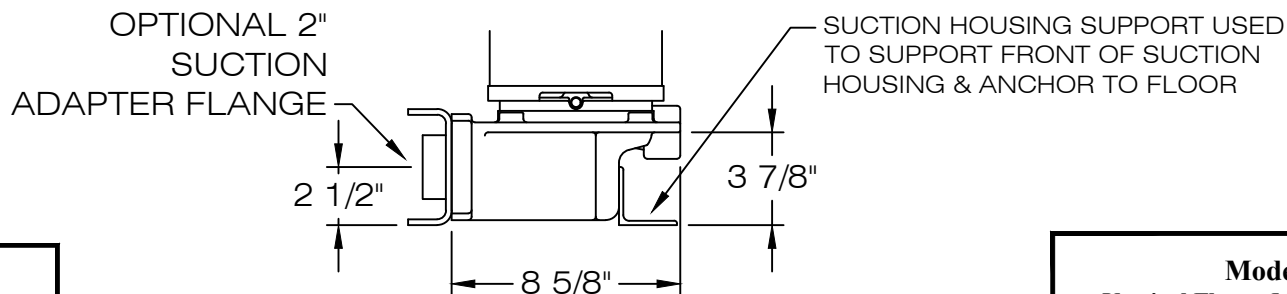
NOTES:

- 1.) DRAWING FOR REFERENCE ONLY.
- 2.) ALL DIMENSIONS ARE APPROXIMATE.
- 3.) ADDING THE SUCTION ADAPTER FLANGE (OPTIONAL) TO THE PUMP, MAKES IT A MODEL DFT.



SUCTION MOUNTING LAYOUT

DISCHARGE CAPACITY	
G.P.M.	SIZE
0-18	3/4"
19-30	1"



SUCTION FLANGE DETAIL
(OPTIONAL)

SHIPCO®
PUMPS

MANUFACTURED BY
SHIPPENSBURG PUMP COMPANY INC.
P.O. Box 279 Shippensburg, Pa. 17257
PHONE 717 532-7321 / FAX 717 532-7704
WWW.SHIPCOPUMPS.COM

SHIPCO® IS A REGISTERED TRADEMARK OF SHIPPENSBURG PUMP CO., INC.

Model DF
Vertical Flange Mounted Type 106

DRAWN BY J.B.	DATE 4/17	REVISION .4
------------------	--------------	----------------

DIMENSION PRINT
40145

Section D Page 0400