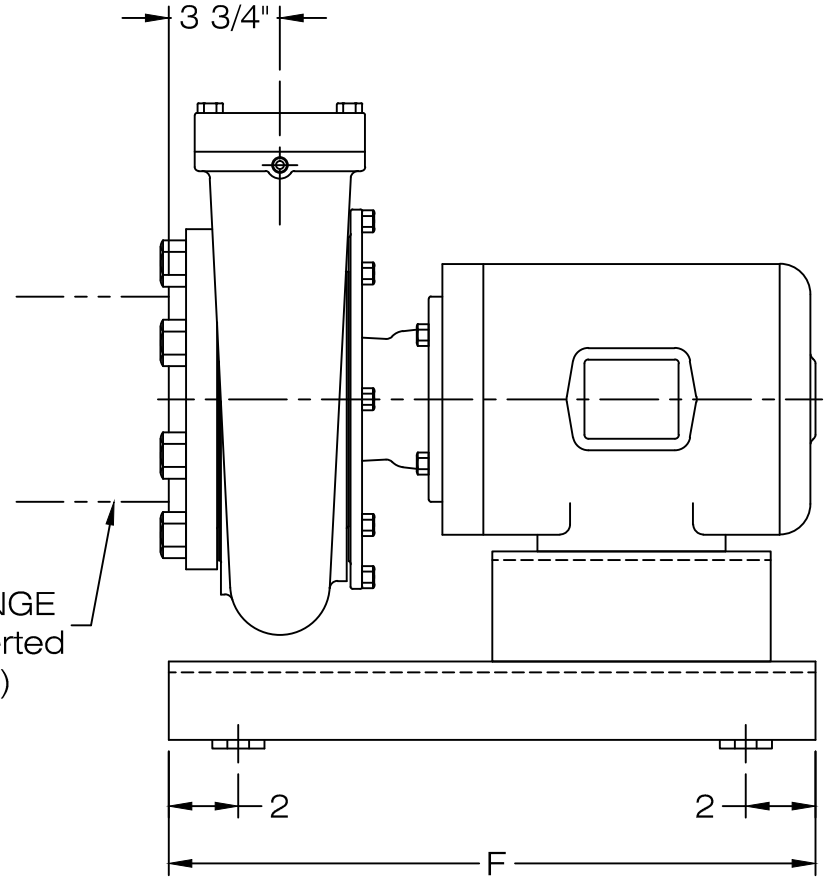


SUCTION  
6" 150# ASA FLANGE  
( 6" Pipe To Be Inserted  
& Field Welded )



MOTOR FRAME	184JM - 213JM	254JM
A	10 1/2"	11 1/2"
B	19 3/4"	20 3/4"
C	14"	16"
D	16 1/2"	18 1/2"
E	18"	20"
F	24"	29"

**SHIPCO®**  
**PUMPS**

MANUFACTURED BY

SHIPPENSBURG PUMP COMPANY INC.

P.O. Box 279 Shippensburg, Pa. 17257  
PHONE 717 532-7321 / FAX 717 532-7704

WWW.SHIPCOPUMPS.COM

SHIPCO® IS A REGISTERED TRADEMARK OF SHIPPENSBURG PUMP CO., INC.

**Model D**  
**132 Horizontal Close Coupled**  
**w/ Base Plate**

DRAWN BY M.E.R.	DATE 8/14	REVISION .1
--------------------	--------------	----------------

DIMENSION PRINT **40280**

**Section D Page 1540**